



13.56 MHz Physical Access Contactless Technology How to Order Guide

D00529, Release F.3
June 2015

The most current version of this document is available for download at:

[13.56 MHz Physical Access How to Order Guide](#)

To check order status, go to:

<http://www.hidglobal.com> > Knowledge Center > Customer Support > Customer Order Status.

For Contact cards, 3rd Party Contact-Chips and embeddable cards with or without contact chip,
see the [Logical Access How to Order Guide](#).

For Embedded products, see the [Embedded How to Order Guide](#).

HID, HID Global, iCLASS, SmartID, OEM75, FlexSmart, Fargo, OMNIKEY and eProx are the trademarks or registered trademarks of HID Global Corporation, or its licensors, in the U.S. and other countries.

MIFARE, MIFARE DESFire and MIFARE DESFire EV1 are trademarks or registered trademarks of NXP B.V. and are used under license.

LEGIC is a registered trademark of LEGIC IdentSystems AG.

This document is subject to change without notice.



Document History

Date	Author	Description	Version
6/23/15	DD	Cut parts for May 15, 2015 discontinuance and consolidation announcement.	F.3
2/17/15	GL	Included prominent Laser Engraving customer notification and laser engraving footnote to reflect removal of inkjet option for Austin	F.2
10/28/14	GL, DM	Inkjet updates.	F.1
10/28/14	DD	Updates to EDGE EVO Solo models and terminology.	E.9
8/6/14	DD	Release of EDGE EVO Solo – removal of EDGE Solo.	E.8
6/1/14	DWA	Removed all G 3.0 rev C readers.	E.7
02/12/14	SA	Remove H slot punch option for iCLASS 16k/32k (for base pn 202/212)	E.6
01/15/14	SA	Add option for MIFARE Classic with reversed MIFARE CSN to mark in decimal (option Z added) Add option H (Horizontal) for MIFARE Classic 1K and 4K Credentials.	E.5
11/19/13	SA	Removed Wiegand card (pn=204), Add options for Clamshell with 16k-bit, 32k-bit options Added the iCLASS Elite Change Form and updated the iCLASS Elite/Custom Format Request Form Added Horizontal punch – 202/212 Card. Added option X and W for MIFARE CSN marking (laser engraved) Add LEGIC card options as well as MIFARE DESFire EV1 key fob and Tags Re-integrate option B for slottable card for 200/210	E.4
2/5/13	DD / SA	Added Card Packs and removed the S Programming versions for the 202/212 cards. The 1435 MIFARE Adhesive tag image has changed.	E.3
11/28/12	SA / MB	Added references to MIFARE DESFire EV1 & iCLASS 32k /HITAG1, iCLASS 32k/HITAG2 Removed references to MIFARE DESFire 0.6 Added MIFARE Classic + DESFire EV1 combination	E.2
6/25/12	SA / DD	Add references to MIFARE DESFire combination card. Updated the Corporate 1000 form to include new Table 1 Heading Description. Update to multiCLASS with EM4102 page, correcting MIFARE CSN & EM4102 options.	E.1
2/16/12	SA	Update description for 232/242 and 252/262	E.0



Contents

Announcement Regarding Credentials Marking	4
Credentials	5
200/210 - iCLASS Card Ordering Guide	5
202/212 - Combination Card (iCLASS/Prox) Ordering Guide.....	6
205 - iCLASS Key Ordering Guide	8
206 - iCLASS Tag Ordering Guide.....	9
208 - iCLASS Clamshell Card Ordering Guide.....	10
232/242 - iCLASS/Other HF 13.56 MHz - Combination Card Ordering Guide	11
252/262 - iCLASS/Other 13.56MHz/Prox - Combination Card Ordering Guide.....	13
272/282 - MIFARE Classic/DESFire EV1 - Combination Card Ordering Guide	15
1430/1440/1436/1446 - MIFARE Card Ordering Guide.....	16
1431/1441/1437/1447 - Combination (MIFARE/Prox) Card Ordering Guide.....	17
1434/1444 - MIFARE Keyfob Ordering Guide	19
1435/1445 - MIFARE Adhesive Tag Ordering Guide	20
1450/1456 - MIFARE DESFire EV1 Card Ordering Form Guide.....	21
1451/1457 - Combination (MIFARE DESFire EV1 Solution/PROX) Card Ordering Guide	22
1454 - MIFARE DESFire EV1 Key Fob Ordering Guide.....	24
1455 - MIFARE DESFire EV1 Adhesive Tag Ordering Guide.....	25
155/165 - LEGIC Card Ordering Form Guide.....	26
175/185 - Combination (LEGIC/ PROX) Card Ordering Guide.....	27
Custom Credentials	28
Artwork Checklist.....	28
Electronic Artwork Checklist.....	29
<i>File Submission & Preparation</i>	<i>29</i>
Anti-Counterfeiting Descriptions	30
<i>Laminated Lithographic Printing</i>	<i>30</i>
Custom Card Artwork Placement and Inkjet Location Guides.....	31
Tag Credentials.....	32
Clamshell Cards.....	33
Legacy iCLASS Readers	34
bioCLASS Reader/Enroller and Read-Only Biometric Reader Part Numbers	34
iCLASS LCD Read-Only Readers.....	35
iCLASS Read/Write Reader Part Numbers and Options.....	36
EDGE Readers	37
EDGE EVO Solo Part Numbers	37
13.56 MHz Accessories.....	38
iCLASS Programming Platform.....	39
Configured iCLASS Credentials	39
Encoder.....	39
Smart Card with Facility Code and Credential Credits	39
iCLASS Programming Platform Ordering Guide	40
Corporate 1000 Format Request & Authorization Form	41
iCLASS Elite Program Request & Authorization Form	43
iCLASS Elite Program/Custom Format Change Form.....	45



Announcement Regarding Credentials Marking

As a part of our commitment to continuous enhancements of world-class products and solutions, HID Global is transitioning to the most innovative card marking technology available.

Effective immediately, HID Global is moving from ink jet card marking to the new laser engraving card marking technology for all Genuine HID® cards, fobs and authentication tokens. This state-of-the-art laser engraving technology will result in a more appealing look and feel and reduce the ecological footprint of card production.

All relevant orders in the United States and Canada are affected immediately.

Key benefits:

Marking quality and durability of the cards will be enhanced and more consistent

New engraving technology reflects HID Global's commitment to sustainability by eliminating the use of solvents

Improved Proof of Authenticity since engraved markings cannot be removed or modified.

The enhanced design will be available at no additional charge. The laser-engraving surcharge for Genuine HID Proximity and Contactless Credentials will be removed in November.

Depending on the fulfillment center, customers may receive either inkjet or laser marked cards during the transition period of October 2014 – June 2016. All ID1 cards (Clamshell Cards included), key fobs (including Microtags, Keytags and Microprox) and authentication tokens will have the enhanced laser engraving design immediately.

Notes:

The numbering scheme and part number will not change. Please contact your sales representative to see the new design and get sample cards.

Due to the 3D nature of laser engraved markings, printing over these markings is not recommended as it may impact print quality.

For all relevant Credentials ordered and/or shipped out of North America, the laser-etched version supersedes all ink jet card part numbers.

For further details on the printing areas, please contact HID Global.

Please contact HID Customer Service or Sales Representative if you have additional questions regarding this notice.



iCLASS Programming Information

125 kHz Programming Information

Bit Numbers _____ (example: 26 bit)
 Format Number _____ (example: H10301)
 Facility Code _____
 iCLASS Elite ICE Number (if applicable) - _____
 (Custom Formats) Site Code _____ City Code _____
 OEM Code _____
 Internal Card No. Start _____ Stop _____
 External Card No. Start _____ Stop _____
 PIN: Sequential: Start # _____ Random: Length _____

Bit Numbers _____ (example: 26 bit)
 Format Number _____ (example: H10301)
 Facility Code _____
 (Custom Formats) Site Code _____ City Code _____
 OEM Code _____
 Internal Card No. Start _____ Stop _____
 External Card No. Start _____ Stop _____
 Special Instructions: _____

- ¹ For new artwork files, contact Customer Service for custom artwork number, lead-times, and cost.
- ² Cards ordered with plain white front and back packaging, or custom artwork, will still have a small HID logo and reference number printed in the lower left-hand corner and a slot punch target printed on the back of the card.
- ³ The external card number is placed in the bottom right-hand corner for iCLASS 13.56 MHz and in the bottom center for 125 kHz Proximity on the back of the card.
- ⁴ For Laser Engraved external numbers, consult factory for lead times and cost.
- ⁵ Cards are provided with an optional slot punch at no additional charge.
- ⁶ HITAG combination cards are only available with iCLASS 32k Bits. Some video imaging printers cannot accommodate pre-slot punched cards.
- ⁷ H slot punch option is not yet supported on iCLASS 16k or 32k memory options.
- ⁷ Please note that cards shipped within North America are always laser-engraved. Inkjetted option is not available for these cards.
- ^{*} The composite construction is recommended for all cards with over-laminate applied. Consult with the printer manufacturer prior to ordering.



205 - iCLASS Key Ordering Guide

The iCLASS contactless smart Key offers read/write capability. Attach to a key ring or badge clip for convenient use.

Ensure each required option has been checked with the appropriate choice to fulfill a completed order form.

205 Base Model

iCLASS Memory Size and Allocation (Check One)

- 0 - 2k Bits (256 Bytes) with 2 Application Areas
- 1 - 16k Bits (2k Bytes) with 2 Application Areas
- 2 - 16k Bits (2k Bytes) with 16 Application Areas
- 3 - 32k Bits (4K Bytes) Application areas 16k/2+16k/1
- 4 - 32k Bits (4K Bytes) Application areas 16k/16+16k/1

Programming (Check One)

- C - Configured, Non-Programmed iCLASS. Programming Information Not Required.
- P - Programmed iCLASS. Specify Programming Information.

Front Packaging

- N - iCLASS Key II - Black with blue insert. Includes HID Standard Artwork

Back Packaging

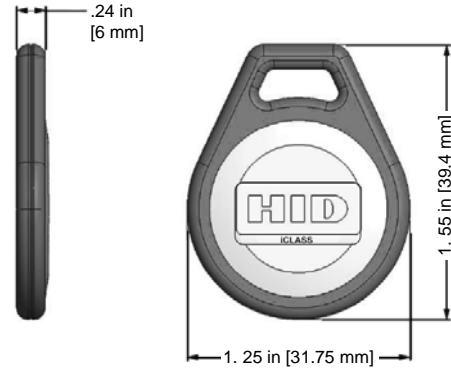
- N - None

Key Numbering¹

- M - Sequential Matching Internal/External (Inkjetted)⁴
- N - No External Key Numbering
- S - Sequential Internal/Sequential Non-Matching External (Inkjetted)⁴
- R - Random Internal/Non-Matching Sequential External (Inkjetted)⁴
- A - Sequential Matching Internal/External (Engraved)²
- B - Sequential Internal/Sequential Non-Matching External (Engraved)²
- C - Random Internal/Non-Matching Sequential External (Engraved)²

Additional Options³

- N - None



Shown – Front Packaging Option N

Enter your final card options from the above selections. Example: 2052PNNMN

Final Part Number	205			N	N		N
--------------------------	------------	--	--	----------	----------	--	----------

iCLASS Key Programming Information

Bit Numbers . (example: 26 bit) Format Number (example: H10301)
 Facility Code
 iCLASS Elite Ice Number (if applicable)
 (Custom Formats) Site Code City Code OEM Code
 Internal Card # Start Stop External Card # Start Stop
 PIN: Sequential: Start # Random: Length
 Special Instructions:

¹ The external key number is placed on the back of the key.
² For Laser Engraved external numbers, consult factory for lead times and cost.
³ Key Ring sold separately (Part Number: 57-0001-02).
⁴ Please note that cards shipped out of Austin, Texas are always laser-engraved. Inkjetted option is not available for these cards.



206 - iCLASS Tag Ordering Guide

The iCLASS contactless smart Tag offers read/write capability. iCLASS enable existing credentials or non-metallic devices such as cell phones or PDAs by adhering the iCLASS Tag.

Ensure each required option has been checked with the appropriate choice to fulfill a completed order form.

206 Base Model **Part Number Worksheet**

iCLASS Memory Size and Allocation (Check One)

- 0 - 2k Bits (256 Bytes) with 2 Application Areas
- 1 - 16k Bits (2k Bytes) with 2 Application Areas
- 2 - 16k Bits (2k Bytes) with 16 Application Areas
- 3 - 32k Bits (4K Bytes) Application areas 16k/2+16k/1
- 4 - 32k Bits (4K Bytes) Application areas 16k/16+16k/1

Programming (Check One)

- C - Configured, Non-Programmed iCLASS. Programming Information Not Required.
- P - Programmed iCLASS. Specify Programming Information.

Front Packaging (Check One)

- S - Gray with HID Standard Artwork
- K - Black with HID Standard Artwork
- C - Custom Artwork – Specify Custom Artwork Number²

Back Packaging

- S - Adhesive Backing

Tag Numbering¹(Check One)

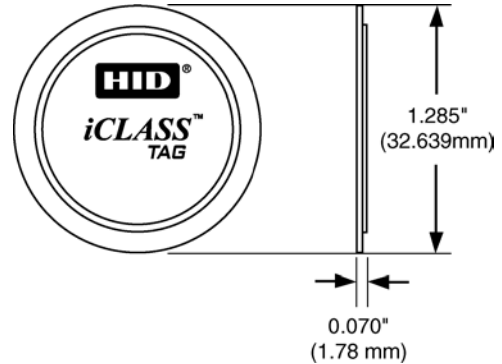
- M - Sequential Matching Internal/External (Inkjetted)⁴
- N - No External Tag Numbering
- S - Sequential Internal/Sequential Non-Matching External (Inkjetted)⁴
- R - Random Internal/Non-Matching Sequential External (Inkjetted)⁴

Slot Punch

- N - None

Option - Custom Artwork¹

- _____ (Specify Artwork Number – Refer to the Custom Artwork Forms for new artwork)



Front Packaging

Enter your final Tag options from check boxes above. Example: 2062CSSNN

Final Part Number	206				S		N	-	(Options #)
--------------------------	------------	--	--	--	----------	--	----------	----------	--------------------

iCLASS Tag Programming Information

Bit Numbers _____ (example: 26 bit) Format Number _____ (example: H10301)

Facility Code _____

iCLASS Elite ICE Number (if applicable) - _____

(Custom Formats) Site Code _____, City Code _____, OEM Code _____

Internal Card # Start _____, Stop _____, External Card # Start _____, Stop _____

PIN: Sequential: Start # _____ Random: Length _____

Special Instructions: _____

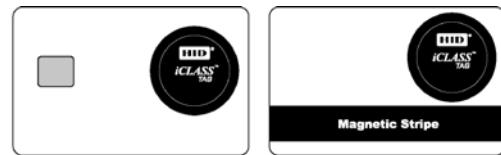
¹ The external tag number is placed on the back of the tag.

² For new artwork files, contact Customer Service for custom artwork number, lead-times, minimum order quantities, and cost.

³ The iCLASS Tag is not for use on cards that use full insertion or tractor feed type readers.

⁴ Please note that cards shipped out of Austin, Texas are always laser-engraved. Inkjetted option is not available for these cards.

Do not adhere to metal surfaces. Metal shields the RF, making the tag inoperable. Due to variations in cards and reading devices, HID does not claim that the iCLASS Tag will work in every situation. Functional and non-functional iCLASS Tags are available for compatibility testing with existing credential and reader technologies. Compatibility should be confirmed prior to ordering.



Contact Smart Chip

Magnetic Swipe card



208 - iCLASS Clamshell Card Ordering Guide

The iCLASS contactless smart card offers read/write capability.

Ensure each required option has been checked with the appropriate choice to fulfill a completed order form.

208 Base Mode

iCLASS Memory Size and Allocation (Check One)

- 0 - 2k Bits (256 Bytes) with 2 Application Areas
- 1 - 16k Bits (2k Bytes) with 2 Application Areas
- 2 - 16k Bits (2k Bytes) with 16 Application Areas
- 3 - 32k Bits (4K Bytes) Application areas 16k/2+16k/1
- 4 - 32k Bits (4K Bytes) Application areas 16k/16+16k/1

Programming (Check One)

- C - Configured, Non-Programmed iCLASS. Programming Information Not Required.
- P - Programmed iCLASS. Specify Programming Information.

Front Packaging (Check One)

- M - Plain White Vinyl with Matte Finish
- G - Plain White with Gloss Finish
- A - iCLASS Clamshell - Adhesive Front¹
- C - Custom Artwork - Specify Custom Artwork Number²

Back Packaging (Check One)

- S - Base with Molded HID Logo
- C - Custom Artwork - Specify Custom Artwork Number²

Card Numbering³ (Check One)

- M - Sequential Matching Internal/External (Inkjetted)⁴
- N - No External Card Numbering
- S - Sequential Internal/Sequential Non-Matching External (Inkjetted)⁴
- R - Random Internal/Non-Matching Sequential External (Inkjetted)⁴

Slot Punch⁵ (Check One)

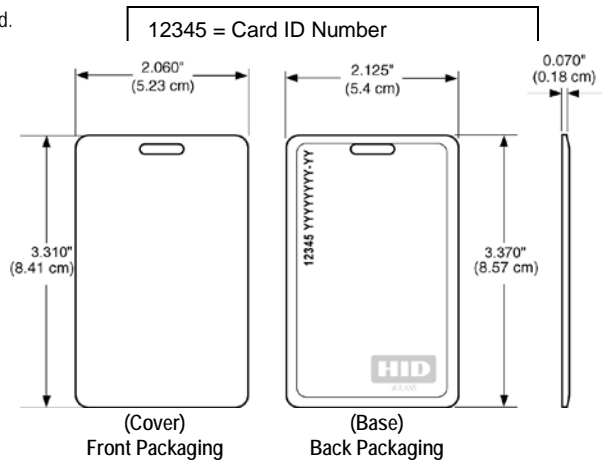
- V - Vertical Slot Punch

Option - Custom Artwork²

_____ (Specify Artwork Number – Refer to the Custom Artwork Forms for new Artwork)

Enter your final card options from check boxes above. Example: 2080PGSMV

Final Part Number	208						V	-	(Options #)
--------------------------	------------	--	--	--	--	--	----------	----------	--------------------



iCLASS Card Programming Information

Bit Numbers _____ (example: 26 bit) Format Number _____ (example: H10301)

Facility Code _____

iCLASS Elite ICE Number (if applicable) _____

(Custom Formats) Site Code _____, City Code _____, OEM Code _____

Internal Card # Start _____, Stop _____, External Card # Start _____, Stop _____

PIN (2-12 digits): Sequential: Start # _____ Random: Length _____

Special Instructions: _____

¹ The part numbers for non-adhesive labels to be used with the iCLASS Clamshell with the adhesive front are 1324GGN31 without slot and 1324GGV31 with slot.

² For new artwork files, contact Customer Service for custom artwork number, lead-times, and cost.

³ The external card number is placed in the top left-hand corner on the back of the card. HID logo molded into base on back.

⁴ Please note that cards shipped within North America are always laser-engraved. Inkjetted option is not available for these cards.




iCLASS Programming Information

2nd 13.56 MHz Programming Information

Bit Numbers _____ (example: 26 bit)
 Format Number _____ (example: H10301)
 Facility Code _____
 iCLASS Elite ICE Number (if applicable) _____
 (Custom Formats) Site Code _____ City Code _____
 OEM Code _____
 Internal Card No. Start _____ Stop _____
 External Card No. Start _____ Stop _____
 PIN: Sequential: Start # _____ Random: Length _____

Bit Numbers _____ (example: 26 bit)
 Format Number _____ (example: H10301)
 Facility Code _____
 (Custom Formats) Site Code _____ City Code _____
 OEM Code _____
 Internal Card No. Start _____ Stop _____
 External Card No. Start _____ Stop _____
 Special Instructions: _____

¹ For new artwork files, contact Customer Service for custom artwork number, lead-times, and cost.
² Cards ordered with plain white front and back packaging, or custom artwork, will still have a small HID logo  and reference number printed in the lower left-hand corner and a slot punch target printed on the back of the card.
³ The external card number is placed in the bottom right-hand corner for iCLASS 13.56 MHz and in the bottom center for 125 kHz Proximity on the back of the card.
⁴ For Laser Engraved external numbers, consult factory for lead times and cost.
⁵ Cards are provided with an optional slot punch at no additional charge. Some video imaging printers cannot accommodate pre-slot punched cards.
⁶ Please note that cards shipped within North America are always laser-engraved. Inkjetted option is not available for these cards.
^{*} The composite construction is recommended for all cards with over-laminate applied. Consult with the printer manufacturer prior to ordering.

252/262 - iCLASS/Other 13.56MHz/Prox - Combination Card Ordering Guide

The iCLASS with MIFARE or MIFARE DESFire contactless smart card as well as HID Proximity offers multiple High Frequency technologies to simplify card issuance for diverse systems or migration projects. Add new applications while leveraging your investment in existing access control systems. Personalize the card with a photo ID, magnetic stripe, barcode, or anti-counterfeiting element.

For MIFARE Classic: This credential is only delivered with MIFARE Classic UID on 4 Bytes long only (32 Bit). It is not available with 7 bytes UID for Classic, only for DESFire EV1.

Ensure each required option has been checked with the appropriate choice to fulfill a completed order form.

Base Model **252 Standard PVC** **262 Composite 40% Polyester / PVC ***

iCLASS Memory Size and Allocation (Check One)

- 0 - 2k Bits (256 Bytes) with 2 Application Areas (only available with MIFARE CLASSIC 1K)
- 3 - 32k Bits (4K Bytes) Application areas 16k/2+16k/1
- 4 - 32k Bits (4K Bytes) Application areas 16k/16+16k/1

13.56 MHz Technology Card Programming (Check One)

- B - Programmed iCLASS & 2nd Technology. Specify Programming Information.
- P - Programmed iCLASS only not 2nd Technology. Specify Programming Information.
- C - Configured, Non-Programmed iCLASS. Non-programmed 2nd Technology. Programming Information Not Required.
- A - Configured, Non-Programmed iCLASS, Programmed 2nd Technology. Specify Programming Information.

2nd High Frequency (13.56 MHz) Technology (Check One)

- M - MIFARE 1K Bytes (only available with iCLASS 2k bits)
- N - MIFARE 4K Bytes
- K - MIFARE DESFire EV1 8K Bytes

125 kHz Technology Card Programming (Check One)

- P - "HID Prox" Programmed 125 kHz Technology. Specify Programming Information.
- C - "Indala/Casi Prox" Programmed 125 kHz Technology. Specify Programming Information.
- N - Initialized 125 kHz Technology. Programming Information Not Required

Front Packaging (Check One)

- G - Plain White with Gloss Finish
- C - Custom Artwork with Gloss Finish – Specify Custom Artwork Number¹

Back Packaging (Check One)

- G - Plain White with Gloss Finish²
- C - Custom Artwork with Gloss Finish – Specify Custom Artwork Number¹
- 1 - Plain White with Gloss Finish with Magnetic Stripe²
- 3 - Custom Artwork with Gloss Finish with Magnetic Stripe - Specify Custom Artwork Number¹

iCLASS Card Numbering³ (Check One)

- | | |
|--|---|
| <input type="checkbox"/> M - Sequential Matching Internal/External (Inkjetted) ⁶ | <input type="checkbox"/> B - Sequential Internal/Sequential Non-Matching External (Laser Engraved) ⁴ |
| <input type="checkbox"/> N - No External Card Numbering | <input type="checkbox"/> C - Random Internal/Non-Matching Sequential External (Laser Engraved) ⁴ |
| <input type="checkbox"/> S - Sequential Internal/Sequential Non-Matching External (Inkjetted) ⁶ | |
| <input type="checkbox"/> R - Random Internal/Non-Matching Sequential External (Inkjetted) ⁶ | |
| <input type="checkbox"/> A - Sequential Matching Internal/External (Laser Engraved) ⁴ | |

Slot Punch⁵ (Check One)

(IMPORTANT – Dual High Frequency credentials do not allow a slot punch due to the antenna design. HID recommends using a badge holder to attach this card to a lanyard or badge clip).

- N - No Slot Punch

2nd 13.56 MHz Card Numbering³ (Check One)

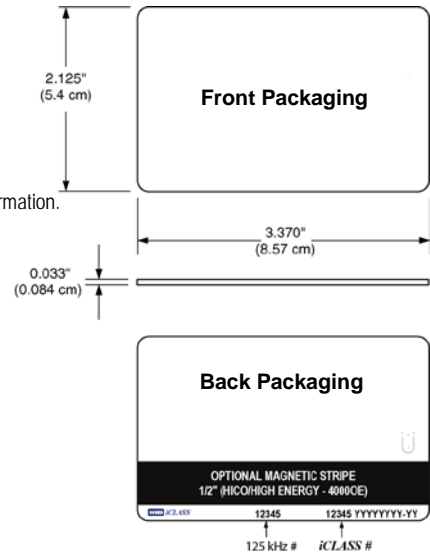
- | | |
|--|---|
| <input type="checkbox"/> M - Sequential Matching Internal/External (Inkjetted) ⁶ | <input type="checkbox"/> B - Sequential Internal/Sequential Non-Matching External (Laser Engraved) ⁴ |
| <input type="checkbox"/> N - No External Card Numbering | <input type="checkbox"/> C - Random Internal/Non-Matching Sequential External (Laser Engraved) ⁴ |
| <input type="checkbox"/> S - Sequential Internal/Sequential Non-Matching External (Inkjetted) ⁶ | |
| <input type="checkbox"/> R - Random Internal/Non-Matching Sequential External (Inkjetted) ⁶ | |
| <input type="checkbox"/> A - Sequential Matching Internal/External (Laser Engraved) ⁴ | |

125 kHz Card Numbering³ (Check One)

- | | |
|--|---|
| <input type="checkbox"/> M - Sequential Matching Internal/External (Inkjetted) ⁶ | <input type="checkbox"/> B - Sequential Internal/Sequential Non-Matching External (Laser Engraved) ⁴ |
| <input type="checkbox"/> N - No External Card Numbering | <input type="checkbox"/> C - Random Internal/Non-Matching Sequential External (Laser Engraved) ⁴ |
| <input type="checkbox"/> S - Sequential Internal/Sequential Non-Matching External (Inkjetted) ⁶ | |
| <input type="checkbox"/> R - Random Internal/Non-Matching Sequential External (Inkjetted) ⁶ | |
| <input type="checkbox"/> A - Sequential Matching Internal/External (Laser Engraved) ⁴ | |

Option - Custom Artwork¹

- _____ (Specify Artwork Number – Refer to the Custom Artwork Forms for new artwork)



12345 = Card ID Number
 YYYYYYYY-YY = Sales Order Number

272/282 - MIFARE Classic/DESFire EV1 - Combination Card Ordering Guide

The MIFARE + DESFire contactless card offers multiple High Frequency technologies to simplify card issuance for diverse systems or migration projects. Personalize the card with a photo ID, magnetic stripe, barcode, or anti-counterfeiting element.

This credential is only delivered with MIFARE Classic UID on 4 Bytes long only (32 Bit). It is not available with 7 bytes UID for Classic, only for DESFire EV1.

Ensure each required option has been checked with the appropriate choice to fulfill a completed order form.

Base Model 272 Standard PVC 282 Composite 40% Polyester / PVC *

MIFARE High Frequency Technology

N - MIFARE Classic 4K Bytes

Card Programming (Check One)

- B - Programmed MIFARE and DESFire Technologies. Specify Programming Information.
- P - MIFARE Programmed only not DESFire Technology. Specify Programming Information.
- N - Non-Programmed MIFARE and DESFire
- A - Non-Programmed MIFARE, Programmed DESFire Technology. Specify Programming Information.

MIFARE DESFire High Frequency Technology (Check One)

K - MIFARE DESFire EV1 8K Bytes

Front Packaging (Check One)

- G - Plain White with Gloss Finish
- C - Custom Artwork with Gloss Finish – Specify Custom Artwork Number¹

Back Packaging (Check One)

- G - Plain White with Gloss Finish²
- C - Custom Artwork with Gloss Finish – Specify Custom Artwork Number¹
- 1 - Plain White with Gloss Finish with Magnetic Stripe²
- 3 - Custom Artwork with Gloss Finish with Magnetic Stripe - Specify Custom Artwork Number¹

MIFARE High Frequency Card Numbering³ (Check One)

- M - Sequential Matching Internal/External (Inkjetted)⁵
- N - No External Card Numbering
- S - Sequential Internal/Sequential Non-Matching External (Inkjetted)⁵
- R - Random Internal/Non-Matching Sequential External (Inkjetted)⁵
- A - Sequential Matching Internal/External (Laser Engraved)⁴
- B - Sequential Internal/Sequential Non-Matching External (Laser Engraved)⁴
- C - Random Internal/Non-Matching Sequential External (Laser Engraved)⁴
- U - UID (CSN) HEX card numbering only (Inkjetted)
- V - UID (CSN) Decimal card numbering only (Inkjetted)

Slot Punch

(IMPORTANT – Dual High Frequency credentials do not allow a slot punch due to the antenna design. HID recommends using a badge holder to attach this card to a lanyard or badge clip).

N - No Slot Punch

DESFire High Frequency Technology Card Numbering³ (Check One)

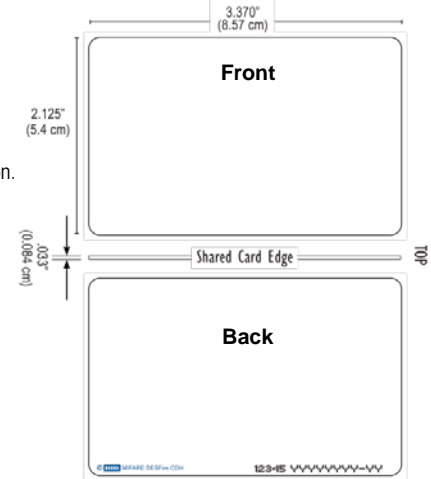
- M - Sequential Matching Internal/External (Inkjetted)⁵
- N - No External Card Numbering
- S - Sequential Internal/Sequential Non-Matching External (Inkjetted)⁵
- R - Random Internal/Non-Matching Sequential External (Inkjetted)⁵
- A - Sequential Matching Internal/External (Laser Engraved)⁴
- B - Sequential Internal/Sequential Non-Matching External (Laser Engraved)⁴
- C - Random Internal/Non-Matching Sequential External (Laser Engraved)⁴
- U - UID (CSN) HEX card numbering only (Inkjetted)
- V - UID (CSN) Decimal card numbering only (Inkjetted)

Option - Custom Artwork¹

(Specify Artwork Number – Refer to the Custom Artwork Forms for new artwork)

Enter your final card options from the above selections. Example: 272NBKG1MMN

Final Part Number		N		K				N		-	(Options #)
-------------------	--	---	--	---	--	--	--	---	--	---	-------------



MIFARE 13.56 MHz Programming Information

Bit Numbers _____ (example: 26 bit)
 Format Number _____ (example: H10301)
 Facility Code _____
 (Custom Formats) Site Code _____, City Code _____
 OEM Code _____
 Internal Card No. Start _____, Stop _____
 External Card No. Start _____, Stop _____
 Special Instructions: _____

DESFire 13.56 MHz Programming Information

Bit Numbers _____ (example: 26 bit)
 Format Number _____ (example: H10301)
 Facility Code _____
 (Custom Formats) Site Code _____, City Code _____
 OEM Code _____
 Internal Card No. Start _____, Stop _____
 External Card No. Start _____, Stop _____
 Special Instructions: _____

¹ For new artwork files, contact Customer Service for custom artwork number, lead-times, and cost.

² Cards ordered with plain white front and back packaging, or custom artwork, will still have a small HID logo and reference number printed in the lower left-hand corner and a slot punch target printed on the back of the card.

³ The external card number is placed in the bottom right-hand corner for MIFARE 13.56 MHz and in the bottom center for DESFire on the back of the card.

⁴ For Laser Engraved external numbers, consult factory for lead times and cost.


⁵ Please note that cards shipped within North America are always laser-engraved. Inkjetted option is not available for these cards.

* The composite construction is recommended for all cards with over-laminate applied. Consult with the printer manufacturer prior to ordering.



For Contact Smart Chip selection, refer to Logical Access How to Order guide. Standard configuration does not include a contact smart chip module.

¹ For new artwork files, contact Customer Service for custom artwork number, lead-times, and cost.

² Cards ordered with plain white front and back packaging, with no HID artwork or with custom artwork, will still have a small HID logo  and reference number printed in the lower left-hand corner and a slot punch target printed on the back of the card.

³ The external card number is placed in the bottom left-hand corner (125kHz) and in the bottom right-hand corner (13.56 MHz) on the back of the card on Proximity Programming only.

⁴ For Laser Engraved external numbers, consult factory for lead times and cost.

⁵ Cards are provided with an optional slot punch at no additional charge. Some video imaging printers cannot accommodate pre-slot punched cards. Consult with the printer manufacturer prior to ordering.

⁶ Includes a permanent Unique MIFARE 32 Bit serial number. When printed the number is encoded MSB (most significant byte) -> LSB (least significant byte).

⁷ Please note that cards shipped within North America are always laser-engraved. Inkjetted option is not available for these cards.

* The composite construction is recommended for all cards with over-laminate applied.

1434/1444 - MIFARE Keyfob Ordering Guide

Ensure each required option has been checked with the appropriate choice to fulfill a completed order form.

Base Model **1434 (1K)** **1444 (4K)**

Programming (Check One)

- M - Programmed, HID MIFARE⁶ (Specify HID format, for example H10301).
- N - Non-Programmed (13.56 MHz). Programming Information Not Required.
- S - Custom Programmed, Specify Programming Information.

Front Packaging (Check One)

- S - Standard HID Artwork
- C - Custom Artwork - Specify Custom Artwork Number¹

Back Packaging

- S - Standard



Key Numbering¹ (Check One)

- M - Sequential Matching Internal/External (Inkjetted)⁵
- N - No External Card Numbering
- W - UID (CSN) HEX numbering only (Engraved)⁴
- X - UID (CSN) decimal numbering only (Engraved)⁴
- C - Random Internal/Non-Matching Sequential External (Laser Engraved)⁴
- R - Random Internal/Non-Matching Sequential External (Inkjetted)⁵
- A - Sequential Matching Internal/External (Laser Engraved)⁴
- S - Sequential Internal/Sequential Non-Matching External (Inkjetted)⁵
- B - Sequential Internal/Sequential Non-Matching External (Laser Engraved)⁴
- Z - Reversed UID (SCN) Decimal card numbering only (Laser Engraved)⁴

Slot Punch²

- N - None

Enter your final Key options from check boxes above. Example: 1434NSSNN

Final Part Number				S		N	
--------------------------	--	--	--	---	--	---	--

13.56 MHz Card Programming Information

Bit Numbers _____ (example: 26 bit)
 Format Number _____ (example: H10301)
 Facility Code _____
 (Custom Formats) Site Code _____, City Code _____
 OEM Code _____
 Internal Card No. Start _____, Stop _____
 External Card No. Start _____, Stop _____
 Special Instructions: _____

¹ The external key number is placed on the back of the key.
² Key Ring sold separately (Part Number: 57-0001-02)
³ Includes a permanent Unique MIFARE 32 Bit serial number. When printed the number is encoded MSB (most significant byte) -> LSB (least significant byte).
⁴ For Laser Engraved external numbers, consult factory for lead times and cost.
⁵ Please note that cards shipped out of Austin, Texas are always laser-engraved. Inkjetted option is not available for these cards.



1435/1445 - MIFARE Adhesive Tag Ordering Guide

Ensure each required option has been checked with the appropriate choice to fulfill a completed order form.

Base Model 1435 (1K) 1445 (4K)

Programming (Check One)

- M - Programmed, HID MIFARE (Specify HID format, for example H10301).
- N - Non-Programmed (13.56 MHz). Programming Information Not Required.
- S - Custom Programmed, Specify Programming Information.

Front Packaging (Check One)

- S - Standard HID Artwork
- C - Custom Artwork - Specify Custom Artwork Number¹

Back Packaging

- S - Standard



Tag Numbering¹ (Check One)

- M - Sequential Matching Internal/External (Inkjetted)⁵
- N - No External Card Numbering
- S - Sequential Internal/Sequential Non-Matching External (Inkjetted)⁵
- R - Random Internal/Non-Matching Sequential External (Inkjetted)⁵
- Z - Reversed UID (SCN) Decimal card numbering only (Laser Engraved)⁴

Slot Punch²

- N - None

Enter your final Tag options from check boxes above. Example: 1435NSSNN

Final Part Number				S		N	
-------------------	--	--	--	---	--	---	--

13.56 MHz Card Programming Information

Bit Numbers _____ (example: 26 bit)

Format Number _____ (example: H10301)

Facility Code _____.

(Custom Formats) Site Code _____. City Code _____.
OEM Code _____.

Internal Card No. Start _____. Stop _____.
External Card No. Start _____. Stop _____.
Special Instructions: _____.

¹ The external tag number is placed on the back of the tag.
² For new artwork files, contact Customer Service for custom artwork number, lead-times, minimum order quantities, and cost.
³ The Tag is not for use on cards that use full insertion or tractor feed type readers.
⁴ Includes a permanent Unique MIFARE 32 Bit serial number. When printed the number is encoded MSB (most significant byte) -> LSB (least significant byte).
⁵ Please note that cards shipped out of Austin, Texas are always laser-engraved. Inkjetted option is not available for these cards.
* Up to 1.14in (29mm) read range in free air.
Do not adhere to metal surfaces. Metal shields the RF, making the tag inoperable. Due to variations in cards and reading devices, HID does not claim that the Tag will work in every situation. Functional and non-functional Tags are available for compatibility testing with existing credential and reader technologies. Compatibility should be confirmed prior to ordering.
* = Actual read range performance affected by mounting location, environment and the tags tuned resonant frequency.



1450/1456 - MIFARE DESFire EV1 Card Ordering Form Guide

Ensure each required option has been checked with the appropriate choice to fulfill a completed order form.

Base Model 1450 Standard PVC 1456 Composite 40% Polyester / PVC *

MIFARE DESFire EV1 Memory Size

C - 8K Bytes MIFARE DESFire EV1

Programming (Check One)

- N - Non-Programmed (13.56 MHz)⁶. Programming Information Not Required.
- S - Custom Programmed, (13.56 MHz only)⁶. Specify Programming Information.

Front Packaging (Check One)

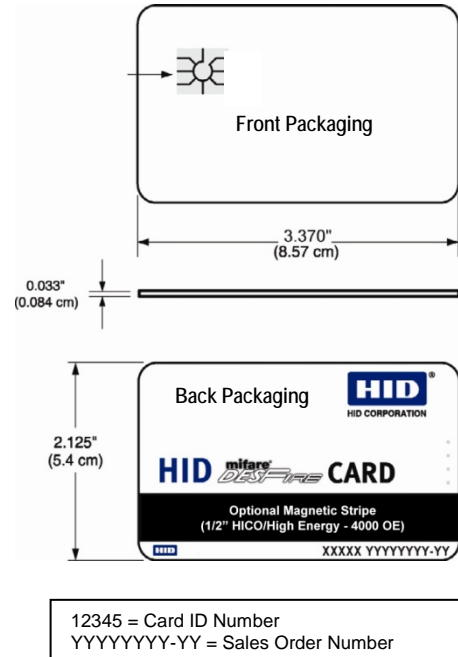
- G - Plain White with Gloss Finish
- C - Custom Artwork with Gloss Finish – Specify Custom Artwork Number¹

Back Packaging (Check One)

- G - Plain White with Gloss Finish²
- 1 - Plain White with Gloss Finish with Magnetic Stripe²
- C - Custom Artwork with Gloss Finish – Specify Custom Artwork Number^{1,2}
- 3 - Custom Artwork with Gloss Finish with Magnetic Stripe - Specify Custom Artwork Number^{1,2}

Card Numbering³ (Check One)

- M - Sequential Matching Internal/External (Inkjetted)⁵
- N - No External Card Numbering
- S - Sequential Internal/Sequential Non-Matching External (Inkjetted)⁵
- R - Random Internal/Non-Matching Sequential External (Inkjetted)⁵
- A - Sequential Matching Internal/External (Laser Engraved)⁴
- B - Sequential Internal/Sequential Non-Matching External (Laser Engraved)⁴
- C - Random Internal/Non-Matching Sequential External (Laser Engraved)⁴
- U - UID (CSN) HEX card numbering only (Inkjetted): 7 bytes UID
- V - UID (CSN) Decimal card numbering only (Inkjetted): 7 bytes UID
- W - UID (CSN) HEX numbering only (Engraved)⁴: 7 bytes UID
- X - UID (CSN) Decimal numbering only (Engraved)⁴: 7 bytes UID



12345 = Card ID Number
YYYYYYYY-YY = Sales Order Number

Slot Punch

IMPORTANT – MIFARE DESFire EV1 credentials do not allow a slot punch due to the antenna design, use a badge holder to attach this card to a lanyard or badge clip.

N - No Slot Punch

Option - Custom Artwork¹

_____ (Specify Artwork Number – Refer to the Custom Artwork Forms for new Artwork)

Enter your final card options from check boxes above. Example: 1450CNGGNN

Final Part Number		C					N	-	(Options #)
-------------------	--	---	--	--	--	--	---	---	-------------

13.56 MHz Card Programming Information

Bit Numbers _____ (example: 26 bit)

Format Number _____ (example: H10301)

Facility Code _____

(Custom Formats) Site Code _____ City Code _____

OEM Code _____

Internal Card No. Start _____ Stop _____

External Card No. Start _____ Stop _____

Special Instructions: _____

For Contact Smart Chip selection, refer to Logical Access How to Order guide. Standard configuration does not include a contact smart chip module.

¹ For new artwork files, contact Customer Service for custom artwork number, lead-times, and cost.

² Cards ordered with plain white front and back packaging, with no HID artwork or with custom artwork, will still have a small HID logo and reference number printed in the lower left-hand corner and a slot punch target printed on the back of the card.

³ The external card number is placed in the bottom right-hand corner on the back of the card on Proximity Format Programming only. Permanent Unique MIFARE 56 Bit serial # cannot be printed on cards.

⁴ For Laser Engraved external numbers, consult factory for lead times and cost.

⁵ Please note that cards shipped within North America are always laser-engraved. Inkjetted option is not available for these cards.

⁶ The composite construction is recommended for all cards with over-laminate applied.



1451/1457 - Combination (MIFARE DESFire EV1 Solution/PROX) Card Ordering Guide

The MIFARE DESFire contactless smart card offers read/write and proximity (HID Prox, HITAG1) capability in a single card. Add new applications while leveraging your investment in existing access control systems. Personalize the card with a photo ID, magnetic stripe, barcode, or anti-counterfeiting element.

Ensure each required option has been checked with the appropriate choice to fulfill a completed order form.

Base Model **1451 Standard PVC** **1457 Composite 40% Polyester / PVC***

HITAG based cards are not available with composite or as an embeddable cards

MIFARE DESFire EV1 Memory Size

C - 8K Bytes MIFARE DESFire EV1

MIFARE DESFire Programming (Check One)

- L - Programmed, (125 kHz only)⁶. Specify Programming Information.
- N - Non-Programmed (125 kHz & 13.56 MHz)⁶. Programming Information Not Required.
- S - Custom Programmed, (13.56 MHz only)⁶. Prox Configured Specify Programming Information.
- R - Custom Programmed, (125kHz and Custom 13.56 MHz)^{4, 6}. Specify Programming Information.
- F - Non-Programmed (HITAG1 & 13.56 MHz)⁶. Programming Information Not Required.
- G - Custom Programmed, (13.56 MHz only)⁶. HITAG1 Configured only. Specify Programming Information for MIFARE DESFire.

Front Packaging (Check One)

- G - Plain White with Gloss Finish
- C - Custom Artwork with Gloss Finish - Specify Custom Artwork Number¹

Back Packaging (Check One)

- G - Plain White with Gloss Finish²
- 1 - Plain White with Gloss Finish with Magnetic Stripe²
- 3 - Custom Artwork with Gloss Finish with Magnetic Stripe - Specify Custom Artwork Number^{1, 2}
- C - Custom Artwork with Gloss Finish - Specify Custom Artwork Number^{1, 2}
- D - Glossy White with Debitex Mag Stripe

13.56 MHz MIFARE DESFire Card Numbering³ (Check One)

- M - Sequential Matching Internal/External (Inkjetted)⁵
- N - No External Card Numbering
- S - Sequential Internal/Sequential Non-Matching External (Inkjetted)⁵
- R - Random Internal/Non-Matching Sequential External (Inkjetted)⁵
- A - Sequential Matching Internal/External (Engraved)⁴
- B - Sequential Internal/Sequential Non-Matching External (Engraved)⁴
- C - Random Internal/Non-Matching Sequential External (Engraved)⁴
- U - UID (CSN) HEX card numbering only (Inkjetted): 7 bytes UID
- V - UID (CSN) Decimal card numbering only (Inkjetted): 7 bytes UID
- W - UID (CSN) HEX numbering only (Engraved)⁴: 7 bytes UID
- X - UID (CSN) Decimal numbering only (Engraved)⁴: 7 bytes UID

Slot Punch

N - No Slot Punch (Printed location of vertical slot punch will remain)

125 kHz Proximity Card Numbering³ (Check One)

- M - Sequential Matching Internal/External (Inkjetted)
- N - No External Card Numbering
- S - Sequential Internal/Sequential Non-Matching External (Inkjetted)
- R - Random Internal/Non-Matching Sequential External (Inkjetted)

- A - Sequential Matching Internal/External (Engraved)⁴
- B - Sequential Internal/Sequential Non-Matching External (Engraved)⁴
- C - Random Internal/Non-Matching Sequential External (Engraved)⁴

Option - Custom Artwork¹

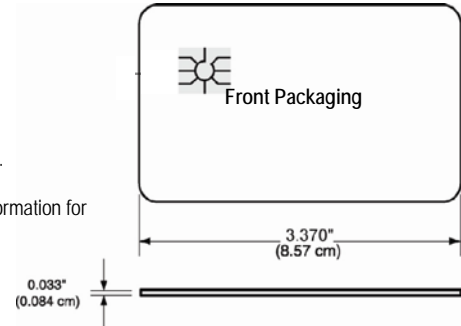
_____ (Specify Artwork Number – Refer to the Custom Artwork Forms for new Artwork)

Enter your final card options from check boxes above. Example: 1457CNGGNM

Final Part Number		C						N		-	(Options #)
-------------------	--	---	--	--	--	--	--	---	--	---	-------------

13.56 MHz Programming Information

Bit Numbers _____ (example: 26 bit)
 Format Number _____ (example: H10301)
 Facility Code _____
 (Custom Formats) Site Code _____ City Code _____
 OEM Code _____
 Internal Card No. Start _____ Stop _____
 External Card No. Start _____ Stop _____
 Special Instructions: _____




12345 = Card ID Number
 YYYYYYYY-YY = Sales Order Number



125 kHz Programming Information

Bit Numbers _____ (example: 26 bit)
Format Number _____ (example: H10301)
Facility Code _____
(Custom Formats) Site Code _____ City Code _____
OEM Code _____
Internal Card No. Start _____ Stop _____
External Card No. Start _____ Stop _____
Special Instructions: _____
PIN: Sequential: Start # _____ Random: Length _____

For Contact Smart Chip selection, refer to the Logical Access How to Order guide.
Standard configuration does not include a contact smart chip module.

¹ For new artwork files, contact Customer Service for custom artwork number, lead-times, and cost.
² Cards ordered with plain white front and back packaging, with no HID artwork or with custom artwork, will still have a small HID logo  and reference number printed in the lower left-hand corner and a slot punch target printed on the back of the card.
³ The external card number is placed in the bottom left-hand corner (125kHz) and in the bottom right-hand corner (13.56 MHz) on the back of the card on Proximity Programming only. Permanent unique MIFARE DESFire 56 Bit serial # cannot be printed on cards.
⁴ For Laser Engraved external numbers, consult factory for lead times and cost.
⁵ Please note that cards shipped within North America are always laser-engraved. Inkjetted option is not available for these cards.
* The composite construction is recommended for all cards with over-laminate applied



1454 - MIFARE DESFire EV1 Key Fob Ordering Guide

Ensure each required option has been checked with the appropriate choice to fulfill a completed order form.

Base Model **1454 (MIFARE DESFire EV1 8K Key Fob)**

MIFARE DESFire EV1 Memory Size

C - 8K Bytes MIFARE DESFire EV1

Programming (Check One)

- M - Programmed, HID MIFARE [®] (Specify HID format, for example H10301).
- N - Non-Programmed (13.56 MHz). Programming Information Not Required.
- S - Custom Programmed, Specify Programming Information.

Front Packaging (Check One)

- S - Standard HID Artwork
- C - Custom Artwork - Specify Custom Artwork Number¹

Back Packaging

- S - Standard
- C - Custom Artwork - Specify Custom Artwork Number¹

Key Numbering¹ (Check One)

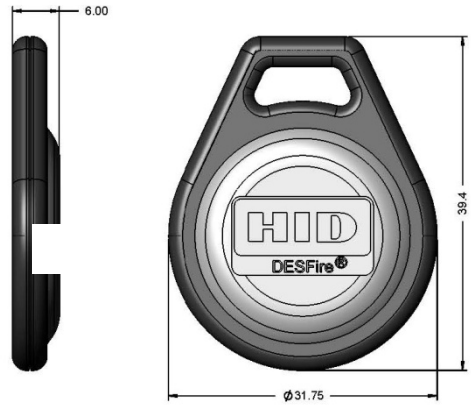
- N - No External Card Numbering
- W - UID (CSN) HEX numbering only (Engraved): 7 bytes UID
- X - UID (CSN) decimal numbering only (Engraved): 7 bytes UID
- C - Random Internal/Non-Matching Sequential External (Laser Engraved)
- A - Sequential Matching Internal/External (Laser Engraved)
- B - Sequential Internal/Sequential Non-Matching External (Laser Engraved)

Slot Punch²

N - None

Enter your final Key options from check boxes above.

Final Part Number	1454	C					N
--------------------------	------	---	--	--	--	--	---



13.56 MHz Card Programming Information

Bit Numbers _____ (example: 26 bit)
 Format Number _____ (example: H10301)
 Facility Code _____
 (Custom Formats) Site Code _____, City Code _____
 OEM Code _____
 Internal Card No. Start _____, Stop _____
 External Card No. Start _____, Stop _____
 Special Instructions: _____

¹ The external key number is placed on the back of the key.
² Key Ring sold separately (Part Number: 57-0001-02).



1455 - MIFARE DESFire EV1 Adhesive Tag Ordering Guide

Ensure each required option has been checked with the appropriate choice to fulfill a completed order form.

Base Model **1455 (MIFARE DESFire EV1 8K Tag)**

MIFARE DESFire EV1 Memory Size

C - 8K Bytes MIFARE DESFire EV1

Programming (Check One)

- M - Programmed, HID MIFARE (Specify HID format, for example H10301).
- N - Non-Programmed (13.56 MHz). Programming Information Not Required.
- S - Custom Programmed, Specify Programming Information.

Front Packaging (Check One)

- S - Standard HID Artwork
- C - Custom Artwork - Specify Custom Artwork Number¹

Back Packaging

S - Standard

Tag Numbering¹ (Check One):

- N - No External Card Numbering
- M - Sequential Matching Internal/External (Inkjetted)⁵
- S - Sequential Internal/Sequential Non-Matching External (Inkjetted)⁵
- R - Random Internal/Non-Matching Sequential External (Inkjetted)⁵

Slot Punch²

N - None



Enter your final Tag options from check boxes above.

Final Part Number	1455	C		S		N
--------------------------	------	---	--	---	--	---

13.56 MHz Card Programming Information

Bit Numbers _____ (example: 26 bit)
 Format Number _____ (example: H10301)
 Facility Code _____
 (Custom Formats) Site Code _____. City Code _____.
 OEM Code _____
 Internal Card No. Start _____. Stop _____.
 External Card No. Start _____. Stop _____.
 Special Instructions: _____

¹ The external tag number is placed on the back of the tag.

² For new artwork files, contact Customer Service for custom artwork number, lead-times, minimum order quantities, and cost.

³ The Tag is not for use on cards that use full insertion or tractor feed type readers.

⁴ Includes a permanent Unique MIFARE DESFire 56 Bit Serial number.

⁵ Please note that cards shipped out of Austin, Texas are always laser-engraved. Inkjetted option is not available for these cards.

Do not adhere to metal surfaces. Metal shields the RF, making the tag inoperable. Due to variations in cards and reading devices, HID does not claim that the Tag will work in every situation. Functional and non-functional Tags are available for compatibility testing with existing credential and reader technologies. Compatibility should be confirmed prior to ordering.



155/165 - LEGIC Card Ordering Form Guide

The 155/165 LEGIC® contactless smart card offers read/write capability. Personalize the card with a photo ID, magnetic stripe, barcode, or anti-counterfeiting element.

Ensure each required option has been checked with the appropriate choice to fulfill a completed order form.

Base Model 155 Standard PVC 165 Composite 40% Polyester / PVC *

LEGIC Configuration

- 0 - LEGIC prime 1024
- 1 - LEGIC advant 1024

Programming (Check One)

- N - Card blank – neither technology configured or programmed. Information Not Required.

Front Packaging (Check One)

- G - Plain White with Gloss Finish
- C - Custom Artwork with Gloss Finish – Specify Custom Artwork Number¹

Back Packaging (Check One)

- G - Plain White with Gloss Finish²
- 1 - Plain White with Gloss Finish with Magnetic Stripe²
- C - Custom Artwork with Gloss Finish – Specify Custom Artwork Number^{1, 2}
- 3 - Custom Artwork with Gloss Finish with Magnetic Stripe - Specify Custom Artwork Number^{1, 2}

Card Numbering³

- N - No External Card Numbering

Slot Punch

LEGIC credentials do not allow a slot punch due to the antenna design, use a badge holder to attach this card to a lanyard or badge clip.

- N - No Slot Punch

Option - Custom Artwork¹

- Specify Artwork Number – Refer to the Custom Artwork Forms for new Artwork

Enter your final card options from check boxes above. Example: 1551NG1NN

Final Part Number			N			N	N	-	(Options #)
--------------------------	--	--	----------	--	--	----------	----------	---	--------------------

LEGIC Programming Information (no programming possible in this version)

For Contact Smart Chip selection, refer to Logical Access How to Order guide. Standard configuration does not include a contact smart chip module.

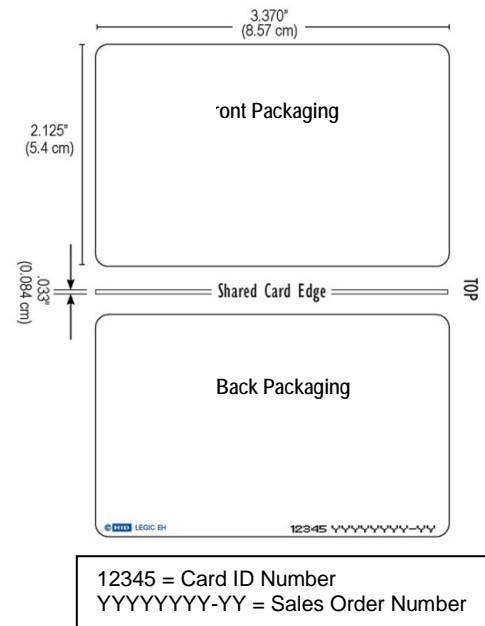
¹For new artwork files, contact Customer Service for custom artwork number, lead-times, and cost.

²Cards ordered with plain white front and back packaging, with no HID artwork or with custom artwork, will still have a small HID logo and reference number printed in the lower left-hand corner and a slot punch target printed on the back of the card.

³The external card number is placed in the bottom right-hand corner on the back of the card.

⁴For Laser Engraved external numbers, consult factory for lead times and cost.

* The composite construction is recommended for all cards with over-laminate applied.



12345 = Card ID Number
 YYYYYYYY-YY = Sales Order Number



Custom Credentials

Artwork Checklist

Company Name: _____ PO No. _____ Date: _____
 Quantity: _____ Card/Key/Tag and Artwork File No. _____

Minimum order quantity for Custom Artwork is 500 cards per order. Some Custom Artworks may be higher.
 Minimum order quantity for Custom Artwork Tags/Keys is 10,000 tags per order.



This form, accompanied with the "Custom Artwork placement and Inkjet Location Form" MUST be filled out, SIGNED and returned to HID so that your order can be processed.

Credential Type: Standard PVC Cards or Keys/Tags

- | | | |
|---|--|---|
| <input type="checkbox"/> 200 - iCLASS Card | <input type="checkbox"/> 202 - iCLASS Prox Card | <input type="checkbox"/> 204 - iCLASS Wiegand |
| <input type="checkbox"/> 206 - iCLASS Tag | <input type="checkbox"/> 208 - iCLASS Clamshell Card | <input type="checkbox"/> 1430/1440 - MIFARE |
| <input type="checkbox"/> 1431/1441 - HID Proximity & MIFARE | <input type="checkbox"/> 1434/1444 - MIFARE Keyfob | <input type="checkbox"/> 1435/1445 - MIFARE Tag |
| <input type="checkbox"/> 1450 - MIFARE DESFire | <input type="checkbox"/> 1451 - MIFARE DESFire & Proximity | |
| <input type="checkbox"/> 1454 - MIFARE DESFire Keyfob | <input type="checkbox"/> 1455 - MIFARE DESFire Tag | |

Credential Type: Composite PVC/Polyester¹ Cards (Additional fee and longer lead-time)

- | | | |
|--|---|--|
| <input type="checkbox"/> 210 - iCLASS Card | <input type="checkbox"/> 212 - iCLASS Prox Card | <input type="checkbox"/> 214 - iCLASS Wiegand |
| <input type="checkbox"/> 1436/1446 - MIFARE | <input type="checkbox"/> 1437/1447 - HID Proximity & MIFARE | <input type="checkbox"/> 1456 - MIFARE DESFire |
| <input type="checkbox"/> 1457 - MIFARE DESFire & Proximity | | |

Artwork Placement, Font Styles and Colors:

- Artwork Placement on Front Side of card
 Artwork Placement on Back Side of card
 Font Style(s): _____
 Front Side Colors: _____
 Back Side Colors: _____

Do you plan to print over or around the custom artwork with a dye sublimation printer? Yes No
 "Surface" or "Laminated" Lithographic Printing (Refer to the "Anti-Counterfeiting Descriptions" page in this guide for details)

Card Options:

- Slot Punch ^{2,5}: Yes No Horizontal Vertical
 Signature Panel: Yes No Size: _____
 Front Card Finish: Gloss Matte
 Back Card Finish: Gloss Matte
 Magnetic Stripe Coercivity: HID Standard (4000 OE) (2750 OE)
 Magnetic Stripe Type: Standard 3 Track Debitek 1/8" Other: _____

Anti-Counterfeiting Options:

- Invisible Ink: Red Blue Green
 Micro-fine Print: Yes No
 Hologram ⁷: Surface

Notes:

¹ Standard Composite Card is 40% Polyester and 60% PVC.
² Some cards will have printed "indicators" on the back of the card to show the vertical slot punch location.
³ Some cards will have a small HID logo and reference number, custom artwork file number, and external number (optional) printed on the card.
⁴ Do not order slot punched cards for use in dye sublimation printers. Slot edge may damage the printer ribbon. Slot should be punched after dye sublimation printing.
⁵ Some video imaging printers cannot accommodate pre-slot punched cards. Consult with the printer manufacturer prior to ordering.
⁶ Surface Holograms cannot be placed over internal electronics.
⁷ **Representation, Warranty and Indemnity.** Customer represents and warrants to HID that it owns, controls, or otherwise has the full and unrestricted right to use the custom artwork provided to HID for use in connection with this Custom Artwork Checklist Form (the "Custom Artwork") and to authorize and license HID to use and apply the Custom Artwork to the cards in the manner provided in this Custom Artwork Checklist Form. Customer agrees to indemnify HID and hold it harmless from and against any claims, liabilities, losses and/or expenses (including reasonable attorney fees and costs of suit) arising out of the use by HID of the Custom Artwork in the manner provided by this Custom Artwork Checklist Form or by any custom artwork proofs approved by the Customer."
⁸ HID does not recommend placing custom graphics on either side of the Contact Smart Chip area.

Name: _____ Signature: _____ Date: _____

Electronic Artwork Checklist

File Submission & Preparation

This document gives digital artwork specifications from our press department. Use these guidelines and your project should go smoothly through the pre-press department.

MEDIA

Submit files via Email or on CD. Compressed files should be self extracting. Submitted media will not be returned to the customer. FTP site available upon request.

PLATFORM: MS WINDOWS®/Macintosh®

Projects that are set up in any of the major applications (listed below under "Graphic Applications") generally translate to Macintosh® smoothly. **Save your final file with pictures embedded, outlined fonts and EPS Vector editable file.**

FONTS

Use Type 1 fonts and include screen and printer fonts on disk. Type may be converted to paths or outlines, but we cannot make copy changes to text submitted in this form. In addition, converted type loses the benefits of PostScript font definitions; hence, type quality may suffer. This is more noticeable in small type (-18 point).

PLACED GRAPHICS

All placed graphics, saved as TIFF or EPS should be included in their native program. If a Photoshop image is placed in a Quark document, we need the Photoshop image to produce the job. Sizing, cropping, rotation, etc., should all be done to the element in its native program and placed in Quark. Color images should be converted from RGB to CMYK. Special colors should be designated using PMS or provide color sample to be matched. Resolution of color images, B&W halftones, or duotones should be 300 dpi.

GRAPHIC APPLICATIONS (latest version)

Adobe Photoshop® - Adobe Illustrator® - QuarkXpress®

BITMAPS AND TRACING

Scanned line art converted to bitmaps should have a resolution of 1200 - 2400 dpi. Lower resolutions will result in jagged curves. Many programs can convert (trace) bitmaps to vector drawings. Smoothing a traced image can be time consuming, but once completed yields a resolution independent graphic that will provide crisp reproduction for all future uses. We can provide this service for you at our regular file intervention rate. Minimum required DPI (dots per inch) is 300.

BLEEDS

Incorporate 0.125" of overwork for all bleed images. Any portion of the image that extends to the edge of the product is considered a bleed. Minimum required size with bleed is 2.227" x 3.477" for standard card size file.

MARGINS

Elements that do not bleed should be at least 0.125" from the edge.

Anti-Counterfeiting Descriptions

Laminated Lithographic Printing

High resolution (>3600 dpi) offset printing technology yields photographic quality images. Laminated printing places the ink layer under a rigid clear plastic overlay which protects the printed image from abrasion and allows you to re-print over the existing artwork on the card. The cards are compatible with all Photo ID printing methods: dye-sub, reverse transfer and resin transfer.

Surface Hologram

Holograms are one of the most recognizable anti-counterfeiting devices on the market. The optically variable image cannot be duplicated with standard printing. Surface holograms are applied via hot stamping to the exterior of the card surface. This style of application is common to all financial transaction cards.

Embedded Hologram

Embedded holograms are positioned under the rigid clear outer layer of the card surface. Unlike surface holograms, embedded holograms are amenable to dye sublimation – allowing the entire card surface to be personalized. This application style furthers the effectiveness of the anti-counterfeiting feature by requiring expensive specialized equipment during manufacture.

OVI (Optical Variable Ink)

Color-shifting inks reflect various wavelengths in white light differently, depending on the angle of incidence to the surface. An unaided eye observes this effect as a change of color while the viewing angle is changed. This anti-counterfeiting method is commonly used on currency and travel documents.

Invisible Ultra-Violet (UV) Fluorescing Images

Common on credit card, currency and travel documents, invisible ink images provide a covert anti-counterfeiting mechanism. Though blue/violet fluorescing ink is readily available and inexpensive, red, green, yellow and orange fluorescing pigments remain difficult to acquire. This covert anti-counterfeiting device remains popular because of its relatively easy implementation in the field.

Micro-fine Printing

Very small spot color printing that exploits the limitations of inkjet, toner based (laser) and dye sublimation printers. Counterfeit reproductions can be determined with a handheld magnification tool.

Guilloche Printing

Fine line interlocking spot color patterns that are extremely difficult to scan and reproduce. These design elements are often multicolor and are commonly used on currency and travel documents.

Composite Formulations

Composite formulations are designed for durable applications and for use in dye sublimation printers that employ re-transfer technology and/or polyester laminate patches. Composite cards will minimize the warping caused by such processes. These formulations derive their strength from combining biaxial oriented polyester (OPET) with traditional Polyvinyl Chloride (PVC).



Custom Card Artwork Placement and Inkjet Location Guides

Standard PVC and Composite PVC/Polyester Cards

Company Name:		PO No.		Date	
Quantity:		Card and Artwork File No.			

1. External Number:

- Standard Location:** The standard external # location is shown on the template below. The external # can only be printed on the back of the card. The external # will be printed in the standard location, unless otherwise specified.
- Custom Location:** Indicate the desired external # location by writing "12345" on the appropriate template. The external # can only be printed on the back of the card.

2. An Artwork File Number:

The artwork is placed on each card. The standard location is indicated by the "CCCCC". The standard location for the custom artwork number is on the back side of the card. Indicate/incorporate the artwork number on the artwork.
 If there will be front side printing only, the custom artwork number will be placed on the printed side, opposite the standard location.

3. Artwork Placement:

Indicate the placement of your artwork on the template below. Custom artwork must clear the slot punch locations and edges by a min. of 0.125".

4. Magnetic Stripe (Optional):

If the location of the magnetic stripe is custom (other than standard) and/or if other types of magnetic stripes are to be added to the card (for example Debitek stripe), indicate the locations of the magnetic stripe(s) on the template.

- Standard Location
- Custom Location

Card Artwork Templates

Slot Punch Indicators

12345 = Card ID Number
 YYYYYYYY-YY = Sales Order Number

Front

Back

Notes:
¹ External # location reads in the direction as shown. External # character height is approximately 0.1".
² Cards will have a small HID logo and reference number printed in the lower left-hand corner and a slot punch target printed on the back of the card.
³ A standard custom artwork file number is printed on the back side of the card. Front side printing of this same number is an option.
⁴ Slot punch location "indicators" will appear on the back side of the card only.
⁵ Do not order slot punched cards for use in dye sublimation printers. Slot edge may damage the printer ribbon. Slot should be punched after dye sublimation printing.
⁶ Some video imaging printers cannot accommodate pre-slot punched cards. Consult with the printer manufacturer prior to ordering.

Name: _____ Signature: _____ Date: _____



Tag Credentials

- iCLASS Tag
 MIFARE Tag
 MIFARE DESFire Tag

Company Name:		PO No.		Date	
Quantity:		Tag and Artwork File No.			

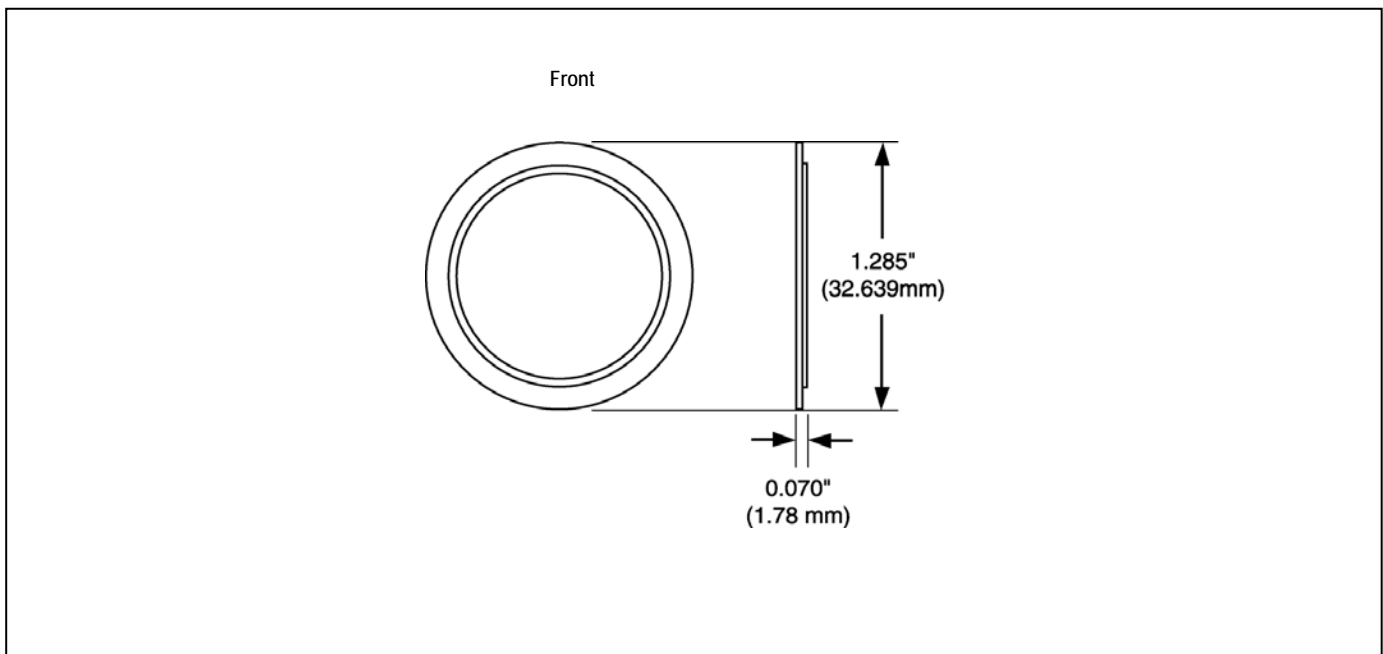
1. External Number:

Standard Location: The external # can only be printed on the back of the Tag.

2. Artwork Placement:

Indicate the placement of your artwork on the template below (Front side only). Custom artwork must clear the inner circle by a min. of 0.125".

Tag Artwork Template



- Notes:
1. Minimum order quantity 10,000 pieces per Purchase Order.
 2. Maximum two color artwork.

Name: _____ Signature: _____ Date: _____



Clamshell Cards

iCLASS Clamshell Cards

Company Name:		PO No.		Date	
Quantity:		Card and Artwork File No.			

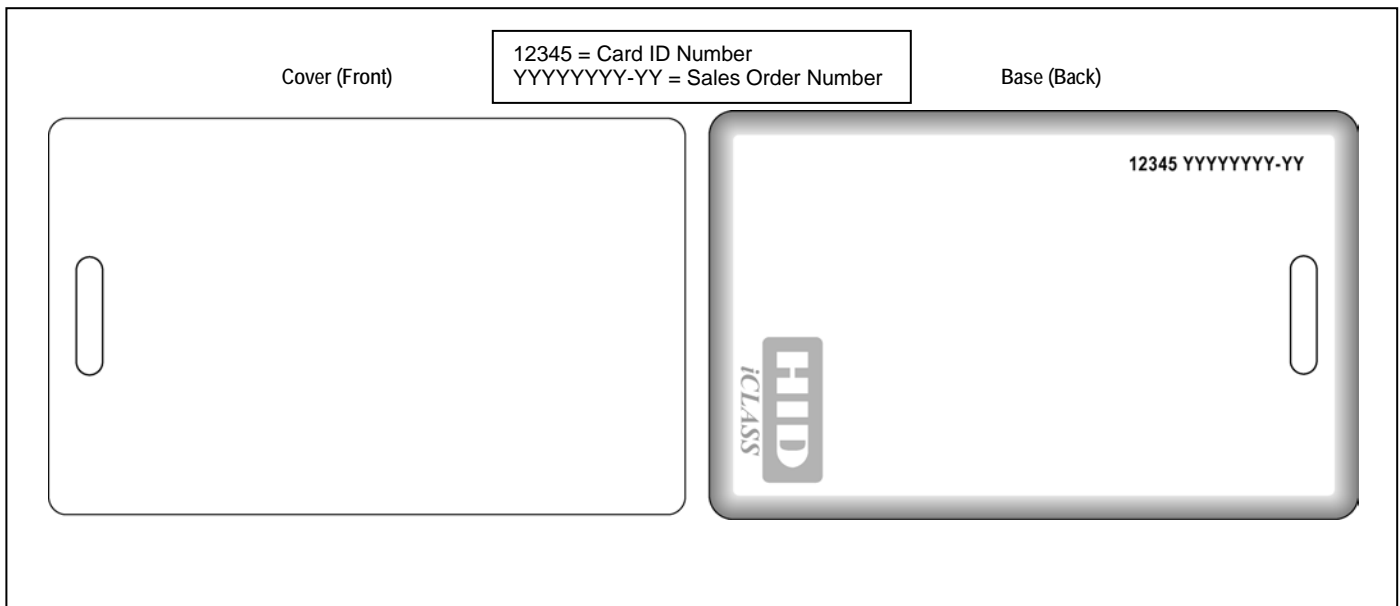
1. External Number:

- Standard Location:** The standard external # location is shown on the template below. The external # can only be printed on the back of the card. The external # will be printed in the standard location, unless otherwise specified.
- Custom Location:** Indicate the desired external # location by writing "12345" on the appropriate template. The external # can only be printed on the back of the card.

2. Artwork Placement:

Indicate the placement of your artwork on the template below. Custom artwork must clear the slot punch location and edges by a min. of 0.125"

Card Artwork Templates



Notes:

1. All iCLASS Clamshell cards have a molded HID logo on the back side (as indicated) as well as a beveled edge all the way around the card. Custom artwork graphics need to clear the molded logo and bevel by a minimum of 0.125"
2. External # location reads in the direction as shown. External # character height is approximately 0.1"
3. There is no custom artwork file number on the iCLASS Clamshell.

Name: _____ **Signature:** _____ **Date:** _____



Legacy iCLASS Readers

iCLASS SE has superseded the majority of legacy iCLASS reader functionality. The remaining specialty models and applications continue to exist on the legacy iCLASS line until an SE replacement is made available.

bioCLASS Reader/Enroller and Read-Only Biometric Reader Part Numbers

Card Reader Description	Base Part No.	Current Rev. No.*	Color Options	Hardware Options ⁷	Configuration Setting Options ¹	iCLASS Security ²	MIFARE CSN ³ Wiegand Output	Keypad Configuration Setting Options ⁴	Optional Custom
iCLASS RKL57 Contactless Smart Card Biometric Reader/Enroller: Reader with LCD, Keypad, and fingerprint biometric module US, European and Asian Back Box Mount (Wiegand Output) Read Only, RoHS Compliant	6180	B	K = Black	R = Reader/Enroller ⁶	00 01 02 03 04 05 06 07	0 1 C D	0 = N/A	00 09 10 11 14 19 20 22	-XXXX Y
iCLASS RKL57 Contactless Smart Card Reader: with LCD, Keypad, and fingerprint biometric module US, European and Asian Back Box Mount (Wiegand Output) Read Only, RoHS Compliant (C&D Output) Requires reader/enroller or CP575A for enrolling fingerprint templates.	6180 6188	B	K = Black	T = Terminal Strip	00 01 02 03 04 05 06 07	0 1 C D	0 = N/A	00 09 10 11 14 19 20 22	-XXXX Y

*Revision numbers and availability are subject to change without notice. Consult factory for availability.

¹ Configuration Setting Options are as follows (Factory or Field Configurable):

00 = Beep on, LED normally red, reader flashes green on tag read 03 = Beep off, LED normally off, reader flashes green on tag read 06 = Beep on, LED normally off, host must flash red and/or green
 01 = Beep off, LED normally red, reader flashes green on tag read 04 = Beep on, LED normally red, host must flash green 07 = Beep off, LED normally off, host must flash red and/or green
 02 = Beep on, LED normally off, reader flashes green on tag read 05 = Beep off, LED normally red, host must flash green

² iCLASS Security options (Factory or Field Configurable)

0 = Standard; protects access and biometric applications (Reads/Enrolls all iCLASS cards with unique keys diversified from HID master key)
 1 = Elite; protects access and biometric applications (Reads/Enrolls only iCLASS cards with site-specific Elite key; consult factory for availability)
 C = Standard with Open Collector Tamper enabled
 D = Elite with Open Collector Tamper enabled

³ MIFARE Card Serial Number (CSN) Wiegand Output Modes are as follows (Factory or Field Configurable). Refer to the "iCLASS Reader Wiegand Output Configuration Guide" for more details.
 (SETTING NOT APPLICABLE WITH ELITE ORDERS. ELITE READERS DO NOT READ MIFARE CSN.)

0 = 32 bit 1 = 32 bit reverse (Same as 6055A and 6055BXX0011) 2 = 26 bit 3 = 34 bit 4 = 40 bit 5 = 37 bit 6 = 56 bit

⁴ Keypad data is output via Wiegand cable. Reader processes keystrokes. Configuration setting options:

00 = Buffer one key, no parity, 4 bit message 09 = Buffer one key, add compliment, 8 bit message (Dorado) 10 = Buffer six keys and add parity
 11 = Buffer one key and add parity 14 = Buffer one to five keys (Standard 26 bit output) 19 = Buffer four keys and add parity
 20 = Single Key buffering 23 = Buffer one to 11 keys

⁶ In addition to RKL57 reader only (6180BKT), this part provides additional enrollment capabilities and multi-lingual support. Reader/Enroller is field configurable for one of the following behaviors: reader/enroller, reader-only or enroller-only, and field configurable for one of 10 languages (see datasheet for more information). This product replaces CP575 fingerprint template enroller (no longer available).



13.56 MHz How to Order Guide – D00529, E.4

iCLASS LCD Read-Only Readers

Card Reader Description	Base Part No.	Current Rev. No.*	Color Options	Hardware Options	Configuration Setting Options ¹	iCLASS Security ²	MIFARE CSN ³ Wiegand Output Mode	Keypad Configuration Setting Options ⁴	Optional Custom ⁵
iCLASS RKL55 Contactless Smart Card Reader: Read, with LCD and Keypad US, European and Asian Back Box Mount (Wiegand) Wiegand or Clock and Data output (C&D) RoHS Compliant	6170 6178	B	K = Black	T = Terminal Strip	00 01 02 03 04 05 06 07	0 1 C D	0 1 2 3 4 5 6 Z	00 09 10 11 14 19 20 22 23	-XXXX Y

*Revision numbers and availability are subject to change without notice. Consult factory for availability.

¹ Configuration Setting Options are as follows (Factory or Field Configurable):

- 00 = Beep on, LED normally red, reader flashes green on tag read
- 01 = Beep off, LED normally red, reader flashes green on tag read
- 02 = Beep on, LED normally off, reader flashes green on tag read
- 03 = Beep off, LED normally off, reader flashes green on tag read
- 04 = Beep on, LED normally red, host must flash green
- 05 = Beep off, LED normally red, host must flash green
- 06 = Beep on, LED normally off, host must flash red and/or green
- 07 = Beep off, LED normally off, host must flash red and/or green

² iCLASS Security Options (Factory or Field Configurable): See Application Note Number 28 for additional information on Key Management.

- 0 = Standard (Reads all iCLASS cards with unique keys diversified from HID master key)
- 1 = Custom options (Reads only iCLASS cards with unique keys diversified from matching site specific master key; consult factory for availability)
- C = Standard with Open Collector Tamper enabled
- D = Custom with Open Collector Tamper enabled

³ MIFARE Card Serial Number (CSN) Wiegand Output Modes are as follows (Factory or Field Configurable). Refer to the "iCLASS Reader Wiegand Output Configuration Guide" for more details. (SETTING NOT APPLICABLE WITH ELITE ORDERS. ELITE READERS DO NOT READ MIFARE CSN.)

- 0 = 32 bit
- 1 = 32 bit reverse (Same as 6055A and 6055BXX0011)
- 2 = 26 bit
- 3 = 34 bit
- 4 = 40 bit
- 5 = 37 bit
- 6 = 56 bit
- Z = CSN Suppressed

⁴ Keypad data is output via Wiegand cable. Reader processes keystrokes. Configuration setting options:

- 00 = Buffer one key, no parity, 4 bit message
- 09 = Buffer one key, add compliment, 8 bit message (Dorado)
- 10 = Buffer six keys and add parity
- 11 = Buffer one key and add parity
- 14 = Buffer one to five keys (Standard 26 bit output)
- 19 = Buffer four keys and add parity
- 20 = Single Key buffering
- 23 = Buffer one to 11 keys

⁵ Contact Factory for pricing, availability, and minimum order quantity.

RoHS compliant Readers are appropriately marked on reader and box. (RoHS or Restriction of Hazardous Substances Directive restricts certain hazardous substances in electrical and electronic equipment.)



iCLASS Read/Write Reader Part Numbers and Options

Card Reader Description	Base Part No.	Current Rev. No.*	Color Options	Hardware Options ⁶	Configuration Setting Options ¹	iCLASS Security ²	MIFARE CSN ³ Wiegand Output Mode	Keypad Configuration Setting Options ⁴	Optional Custom ⁵
iCLASS RW100 Contactless Smart Card Reader/Writer: Read/Write Mullion Mount Wiegand and RS-232 or RS-485 or USB or UART (RoHS Compliant)	6101	C	G = Gray K = Black	T = RS232 4 = RS485(Full-Duplex) M = RS485(Half-Duplex) U = USB B = UART to UART	00 01 02 03 04 05 06 07	0 1 C D	0 1 2 3 4 5 6 Z	For Keypad readers only	-XXXX Y
iCLASS RW150 Contactless Smart Card Reader/Writer: Read/Write Mullion Mount Wiegand and RS-232 or RS-485 or USB or UART (RoHS Compliant)	6141	C	G = Gray	T = RS232 4 = RS485(Full-Duplex) M = RS485(Half-Duplex) U = USB B = UART to UART	00 01 02 03 04 05 06 07	0 1 C D	0 1 2 3 4 5 6 Z	For Keypad readers only	-XXXX Y
iCLASS RW300 Contactless Smart Card Reader/Writer: Read/Write European and Asian Back Box Mount Wiegand and RS-232 or RS-485 or USB or UART (RoHS Compliant)	6111	C	G = Gray K = Black	T = RS232 4 = RS485(Full-Duplex) M = RS485(Half-Duplex) U = USB B = UART to UART	00 01 02 03 04 05 06 07	0 1 C D	0 1 2 3 4 5 6 Z	For Keypad readers only	-XXXX Y
iCLASS RW400 Contactless Smart Card Reader/Writer: Read/Write US, European and Asian Back Box Mount Wiegand and RS-232 or RS-485 or USB or UART (RoHS Compliant)	6121	C	G = Gray K = Black	T = RS232 4 = RS485(Full-Duplex) M = RS485(Half-Duplex) U = USB B = UART to UART	00 01 02 03 04 05 06 07	0 1 C D	0 1 2 3 4 5 6 Z	For Keypad readers only	-XXXX Y
iCLASS RWK400 Contactless Smart Card Reader/Writer: Read/Write, with Keypad US, European and Asian Back Box Mount (RoHS Compliant) Wiegand Output, and/or RS-232/422 or USB or UART	6131	C	G = Gray K = Black	T = RS232 4 = RS485(Full-Duplex) M = RS485(Half-Duplex) U = USB B = UART to UART	00 01 02 03 04 05 06 07	0 1 C D	0 1 2 3 4 5 6 Z	00 09 10 11 14 19 20 22 23	-XXXX Y
iCLASS RWKL550 Contactless Smart Card Reader/Writer: Read/Write, with LCD and Keypad US, European and Asian Back Box Mount Wiegand Output, and/or RS-232, RS-485, USB or UART (RoHS Compliant)	6171	B	K = Black	T = RS232 4 = RS485(Full-Duplex) M = RS485(Half-Duplex) U = USB B = UART to UART	00 01 02 03 04 05 06 07	0 1 C D	0 1 2 3 4 5 6 Z	00 09 10 11 14 19 20 22 23	-XXXX Y

*Revision numbers and availability are subject to change without notice. Consult factory for availability.

¹ Configuration Setting Options are as follows (Factory or Field Configurable):

00 = Beep on, LED normally red, reader flashes green on tag read
01 = Beep off, LED normally red, reader flashes green on tag read
02 = Beep on, LED normally off, reader flashes green on tag read
03 = Beep off, LED normally off, reader flashes green on tag read
04 = Beep on, LED normally red, host must flash green
05 = Beep off, LED normally red, host must flash green

06 = Beep on, LED normally off, host must flash red and/or green
07 = Beep off, LED normally off, host must flash red and/or green

² iCLASS Security options (Factory or Field Configurable): See Application Note Number 28 for additional information on Key Management.

0 = Standard (Reads all iCLASS cards with unique keys diversified from HID master key)
1 = Elite Key (Reads only iCLASS cards with unique keys diversified from matching site specific master key; consult factory for availability)
C = Standard with Open Collector Tamper enabled
D = Custom with Open Collector Tamper enabled

³ MIFARE Card Serial Number (CSN) Wiegand Output Modes are as follows (Factory or Field Configurable). Refer to the "iCLASS Reader Wiegand Output Configuration Guide" for more details. (SETTING NOT APPLICABLE WITH ELITE ORDERS. ELITE READERS DO NOT READ MIFARE CSN.)

0 = 32 bit 1 = 32 bit reverse (Same as 6055A and 6055BXX0011) 2 = 26 bit 3 = 34 bit 4 = 40 bit 5 = 37 bit 6 = 56 bit Z = CSN Suppressed

⁴ Keypad data is output via Wiegand cable. Reader processes keystrokes. Configuration Setting options:






00 = Buffer one key, no parity, 4 bit message 09 = Buffer one key, add compliment, 8 bit message (Dorado) 10 = Buffer six keys and add parity
11 = Buffer one key and add parity 14 = Buffer one to five keys (Standard 26 bit output) 19 = Buffer four keys and add parity
20 = Single Key buffering 23 = Buffer one to 11 keys

⁵ Contact Factory for pricing, availability, and minimum order quantity.

⁶ All the following communication modules allow host driven communication using the iCLASS Serial Protocol. All the following communication modules (except USB) allow for card ID reporting instantiated by the reader. For multi-drop functionality, see iCLASS OSDP Readers. All Reader/Writers are terminal strip readers. RoHS compliant Readers are appropriately marked on reader and box. (RoHS or Restriction of Hazardous Substances Directive restricts certain hazardous substances in electrical and electronic equipment.)

EDGE Readers

EDGE EVO Solo Part Numbers

EDGE EVO Solo Model and Description	Image	Base Part	Rev	Color	Hardware Configuration	Additional Configuration
ESH400-K Standard Controller Single door, IP-based controller for single-door solo-based system. Single physical package. Door inputs/outputs are 4 external inputs, 2 outputs; on-board optical tamper (standard mount). One Wiegand / Clock-and-Data reader interface. For use indoor or outside in weatherproof enclosure. US single-gang, US double-gang or EU/APAC 60mm mount.		83000	C	K = Black	E = Externally-mounted reader	
ESHR40-K Standard Controller / Reader and Module Single door, IP-based controller with integrated R40 iCLASS reader for single-door solo-based system. Two physical packages; IP-based reader for mount at access point and "Door Module" with interface to 4 external inputs, 2 outputs; optical tamper. Second reader possible an additional IO interface module (EWM-M or EDWM-M). For indoor use. Door Module mounted in secure location. US Single-gang or EU/APAC 60mm mount.		83120	C	K = Black	I = Integrated controller / reader, with segregated module (separate physically installed device) containing discrete IO	000 = LED normally Red, Flash Green and beep on card read
ESHR40-L Single-Output Controller / Reader and Module Single door, IP-based controller with integrated R40 iCLASS reader for single-door solo-based system. Two physical packages; IP-based reader for mount at access point and "Lock Module" with interface single (1) lock output. For indoor use. Door Module mounted behind reader in US Single-gang box, in hollow door frame or other secure location. Reader is US Single-gang or EU/APAC 60mm mount.		83120	C	K=Black	L = Integrated controller / reader, with segregated module (separate physically installed device) containing single discrete lock output	000 = LED normally Red, Flash Green and beep on card read
ESHRP40-K Standard Controller / Reader and Module Single door, IP-based controller with integrated RP40 multiCLASS reader for single-door solo-based system. Two physical packages; IP-based reader for mount at access point and "Door /Wiegand Module" with interface to 4 external inputs, 2 outputs and one Wiegand / Clock-and-Data reader interface; Second reader possible using Wiegand reader. Optical tamper (standard mount). For indoor use. Door / Wiegand Module mounted in secure location. US Single-gang or EU/APAC 60mm mount.		83125	C	K = Black	I = Integrated controller / reader, with segregated module (separate physically installed device) containing discrete IO and Wiegand reader interface for second reader	000 = LED normally Red, Flash Green and beep on card read
EWM-M Wiegand Module The "Wiegand Module" enables controller interface to one (1) Wiegand / Clock-and-Data reader interface. For use indoor or outside in weatherproof enclosure.		83360	A	K = Black	M = Mountable on US single-gang, EU / APAC 60mm electrical box	

For custom Indala Prox support, add a "-D" to the end of the EHR40-K, EHR40-L or EHRP40-K part number, and specify the Indala format to be programmed into the reader.



13.56 MHz Accessories

Part No.	Description
iCLASS Reader Accessories	
6303-104-01	Mini-Mullion Reader Mounting Plate for iCLASS SE R10, RP10 and iCLASS RW100
6309-103-01	Mullion Reader Mounting Plate for iCLASS SE R15 and RP15
6402-103-01	EU/Asian Reader Mounting Plate for iCLASS RW300
6403-109-01	Wall Switch Reader Mounting Plate for iCLASS SE R40, RP40 and iCLASS RW400
6094-101-01	Wall Switch Keypad Reader Mounting Plate for iCLASS SE RK40, RPK40 and iCLASS RWK400
6132AKB	Mini-Mullion Reader Spacer for iCLASS SE R10, RP10 and iCLASS RW100, Black
6132AKC	Mullion Reader Spacer for iCLASS SE R15, RP15, Black
6132AKD	EU/Asian Reader Spacer for iCLASS RW300, Black
6132AKE	iCLASS Wall Switch Reader Spacer, Black (works with R40, RP40, RS40, RSP40, RW400, R40-T, RP40-T)
6132AK	iCLASS Wall Switch Keypad Reader Spacer, Black (works with RK40, RPK40, RSK40, RSPK40, RWK400, RK40-T, RPK40-T)
400-2D71-06	iCLASS reader security screw (Qty 1)



iCLASS Programming Platform

HID Global's iCLASS Programming Platform allows the programming of a configured iCLASS card through a FARGO® HDP printer, increasing the flexibility of programming options for customers. Through this platform, the HID Access Control Application is programmed directly to a card with unique facility codes and card numbers. This tool allows a dealer or integrator to support multiple customers with a stock of configured cards, programming the cards only when the customer wishes. For the dealer or integrator, increase flexibility offering fully programmed iCLASS cards at a moment's notice.

End users benefit from this platform by maintaining control over their facility codes and card numbers, printing identification badges within their own facility. Use the iCLASS Programming Platform to replace lost badges on the spot instead of having to experience any delays from re-ordering an iCLASS card from their local dealer or integrator.

Components of the iCLASS Programming Platform

- Configured iCLASS Credentials
- iCLASS Programming Platform Encoder installed within an Fargo HDP Printer
- iCLASS Programming Platform Smart Card containing a specific facility code and the number of credential credits purchased
- Fargo HDP 5000 or HDPii Printer
- Asure ID Card Personalization Software (Enterprise Version)

Configured iCLASS Credentials

Configured iCLASS Credentials come with all your standard card body options, including PVC and Composite makeup, from 2k to 32k in size. A configured iCLASS Credential has the Access Control Application loaded with the application lay-out defined, but does not contain specific facility codes or card numbers. These are added through the iCLASS Programming Platform.

Encoder

The iCLASS Programming Platform Encoder is a specialized version of an HID encoder that installs directly to the HDP Printer. This encoder communicates with the iCLASS Programming Platform Smart Card and Asure ID Card Personalization Software to program cards with the appropriate facility code, card number and other data. In a single pass, program this card data, and enable a personalized photo, background image or other security features through the Fargo printer.

Smart Card with Facility Code and Credential Credits

Order the iCLASS Programming Platform Smart Card with a specific facility code and required number of credential credits. When inserting this smart card into an external contact smart card reader (OMNIKEY readers offer several options), the iCLASS Programming Platform Smart Card communicates with the iCLASS Programming Platform Encoder allowing the programming of a configured iCLASS Credential with the appropriate facility code and other information from Asure ID.

FARGO HDP Printers and Asure ID are products from HID Global. Go to www.hidglobal.com > [Solutions](#) > [Fargo Printers](#) to find your local Authorized Integrator.

iCLASS Programming Platform Ordering Guide

The iCLASS Programming Platform consists of configured cards, an encoder and smart cards used in combination with an HDP printer and Asure ID software. When completing this order, ensure discussing all choices with the user.

Configured iCLASS Programming Platform Cards

Ensure checking each required option with the appropriate choice to fulfill a completed order.

Base Model **200 Standard PVC** **210 Composite 40% Polyester / PVC ***

iCLASS Memory Size and Allocation (Check One)

- 0 - 2k Bits (256 Bytes) with 2 Application Areas
- 1 - 16k Bits (2k Bytes) with 2 Application Areas
- 2 - 16k Bits (2k Bytes) with 16 Application Areas
- 3 - 32k Bits (4K Bytes) Application areas 16k/2+16k/1
- 4 - 32k Bits (4K Bytes) Application areas 16k/16+16k/1

Programming (Check One)

- C - Configured, Non-Programmed iCLASS. Programming Information Not Required.

Front Packaging (Check One)

- G - Plain White with Gloss Finish

Back Packaging (Check One)

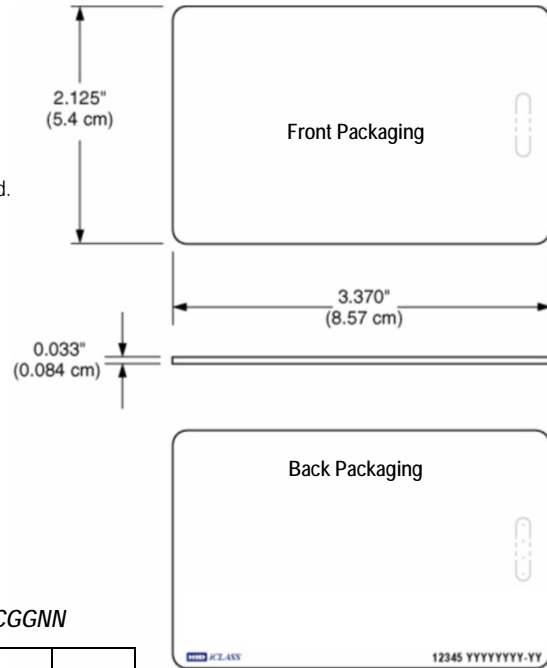
- G - Plain White with Gloss Finish¹

Card Numbering³ (Check One)

- N - No External Card Numbering

Slot Punch (Check One)

- N - No Slot Punch (Printed location of vertical slot punch will remain)



Enter your final card options from checked boxes above. Example: 2001CGGNN

Final Part Number							
-------------------	--	--	--	--	--	--	--

¹ Cards ordered with plain white front and back packaging still have a small HID logo and reference number printed in the lower left-hand corner
^{*} The composite construction is recommended for all cards with over-laminate applied. Consult with the printer manufacturer prior to ordering.

iCLASS Programming Platform Encoder

- 089182 H5K-SDI-D-ENCODER – contains docking station for insertion into the HDP Printer bay two (2)
- 089181 H5K-SDI-ENCODER – for insertion into the HDP Printer bay zero (0)

iCLASS Programming Platform Smart Card

Base Model **VCI-SCCC** **VCI-SCCF**

Customers should choose VCI-SCCC if they wish to use any card number contained within the range permitted by the format number selected.

For example, format number H10301 allows for 65,535 card numbers and customers who select VCI-SCCC use any of those numbers.

VCI-SCCF restricts the card number to the next in the series. If the customer has previously ordered and used card numbers 1 – 50, the next set of numbers start at 51. Using VCI-SCCF prevents duplication of card numbers within the facility code and format range.

Facility Code: _____

Format Number: _____

iCLASS Elite ICE Number (if applicable): _____

Number of Credits: _____



Corporate 1000 Format Request & Authorization Form

Corporate 1000® is a 35-bit card format that is developed specifically for use by individual end-user organizations. Organizations must qualify, formally enroll and be accepted by HID Global Corporation.

The Corporate 1000 Format is offered to large, multi-location, and end-user organizations which use HID access control readers and cards. In this program, the end-user has the flexibility to choose any access control hardware/software platform and any HID System Provider. As the end-user utilizing the Corporate 1000 Program, fill in your company information in **TABLE 1**. Ensure all fields are complete for the primary and secondary (if desired) authorized contacts within your company.

Table 1: Your Company's Primary and Secondary Contacts

Information	Security Director Contact	IT Director Contact
Company Name		
Mailing Address		
City		
State/Province		
Country		
Zip/Postal Code		
Contact Name		
Title		
Contact Signature	X	X
Phone Number		
Fax Number		
Email Address		

Card numbers available within the Corporate 1000 format are 0 – 1,048,575.

Indicate the card number in which your first order should start: [Enter start number here.](#)

All card numbers following this number will be “blocked” from use. If you do not specify a card start number, your first order will start at one (1). Should you require assistance, contact your systems provider or HID directly.

Added card security:

- Invisible Ink
 Advantage OVD
 Hologram
 Micro-fine Printing
 Signature Panel

Once accepted into the Corporate 1000 Program, HID shall grant a royalty free license to use the Corporate 1000 Format within your organization. Please sign below to enroll in this program and to confirm your acceptance of the License Agreement.

ACCEPTANCE OF HID CREDENTIAL PROGRAM LICENSE AGREEMENT	
The undersigned party hereby accepts and agrees to be bound by the terms and conditions of the HID Credential Program. License Agreement is located at www.hidglobal.com/pdfs/credential_license.pdf , pursuant to which a license is granted to the undersigned party authorizing the use of certain credential formats in connection with participation by the undersigned in the HID Corporate 1000 Program.	
Dated: _____	Authorized Signature : X _____
Company Name : _____	Contact Name: _____
	Title : _____

To ensure the security of your card format, authorize any HID System Provider to purchase and manage your Corporate 1000 cards on your behalf. Enter authorized HID System Provider information in **Table 2**, and HID System Installers in **Table 3**.

Use this form to communicate all authorization concerning your Corporate 1000 format. It is recommended for each end-user to maintain an original copy of this form listing all authorizations.



Table 2: Authorized HID System Providers

	Company # 1	Company # 2
Company Name		
Contact Name		
Title		
Address		
Phone Number		
Fax Number		
Email Address		
Authorized End-User Name		
Authorized End-User Signature	X	X
Date		

Table 3: Authorized HID System Installers

	Company # 1	Company # 2
Company Name		
Contact Name		
Title		
Address		
Phone Number		
Fax Number		
Email Address		
Authorized End-User Name		
Authorized End-User Signature	X	X
Date		

Send to HID Global for approval and processing by faxing: 949-732-2359.

For assistance, contact your Customer Service Representative. To add or remove authorizations, submit an HID Global Corporate 1000 Change Form.

For Internal Use Only:

HID Sales Manager:		X
Print Name	Signature	Date
Issued Corporate 1000 Format No.:	Entered by HID Global after approval.	



iCLASS Elite Program Request & Authorization Form

The iCLASS Elite/Custom Format program includes a credential format and custom authentication key. Use any format, including the HID Corporate 1000 format. Corporate 1000 is a 35-bit card format available for qualified end-users by formal enrollment and acceptance by HID Global. A custom authentication key provides increase security. HID assigns the key to guarantee uniqueness, and programs the site-specific readers and credentials.

With the iCLASS Elite/Custom Format program, the end-user has the flexibility to choose any access control hardware/software platform, or any HID System Provider. As the iCLASS Elite/Custom Format program end-user, enter your company information in the table below. Ensure all fields are complete for the primary and secondary (if desired) authorized contacts within your company.

Table 4: Your Company's Primary and Secondary Contacts

Information	Primary Company Contact	Secondary Company Contact
Company Name		
Mailing Address		
City		
State/Province		
Country		
Zip/Postal Code		
Contact Name		
Title		
Contact Signature	X	X
Phone Number		
Fax Number		
Email Address		

Enter the program features:

35-Bit Credential Format, if different, enter: _____

Custom Authentication Key

Once accepted into the iCLASS Elite Program/Custom Format, HID shall grant a royalty free license to use the iCLASS Elite/Custom Format Program within your organization. Please sign below to enroll in this program and your acceptance of the License Agreement.

ACCEPTANCE OF HID CREDENTIAL PROGRAM LICENSE AGREEMENT	
The undersigned party hereby accepts and agrees to be bound by the terms and conditions of the HID Credential Program. License Agreement is located at www.hidglobal.com/pdfs/credential_license.pdf , pursuant to which a license is granted to the undersigned party authorizing the use of certain credential formats in connection with participation by the undersigned in the HID iCLASS Elite/Custom Format Program.	
Dated: _____	Authorized Signature : X _____
Company Name : _____	Contact Name: _____
	Title : _____



To ensure the security of your card format, authorize any HID System Provider to purchase and manage your iCLASS Elite/Custom Format Credential on your behalf. Enter authorized HID System Provider information in **Table 5**, and System Installers in **Table 6**.

Use this form to communicate all authorization concerning your iCLASS Elite/Custom Format. It is recommended for each end-user to maintain an original copy of this form listing all authorizations.

Table 5: Authorized HID System Providers

	Company # 1	Company # 2
Company Name		
Contact Name		
Title		
Address		
Phone Number		
Fax Number		
Email Address		
Authorized End-User Name		
Authorized End-User Signature	X	X
Date		

Table 6: Authorized HID System Installers

	Company # 1	Company # 2
Company Name		
Contact Name		
Title		
Address		
Phone Number		
Fax Number		
Email Address		
Authorized End-User Name		
Authorized End-User Signature	X	X
Date		

Send to HID Global for approval and processing by faxing: 949-732-2359.

For assistance, contact your Customer Service Representative. To add or remove authorizations, submit an HID Global iCLASS Elite Program/Custom Format Change Form.

For Internal Use Only:

HID Sales Manager:		X	
Print Name	Signature	Date	
Issued iCLASS Elite Program Format No.:	_____	Entered by HID Global after approval.	



iCLASS Elite Program/Custom Format Change Form

The iCLASS Elite program/Custom Format includes a credential format and custom authentication key. Use any format, including the HID Corporate 1000 format. Corporate 1000 is a 35-bit card format available for qualified end-users by formal enrollment and acceptance by HID Global.

To ensure the security of your card format, authorize any HID System Provider to purchase and manage your iCLASS Elite/Custom format on your behalf. Enter authorized HID System Provider information in the table below.

Use this form to communicate all authorization changes concerning your iCLASS Elite/Custom format. It is recommended for each end-user to maintain an original copy of this form listing all authorizations. Changes made on this change form do not alter the terms and conditions originally established from the iCLASS Elite/Custom Format Program Request & Authorization Form.

Company End-User _____ Program Number _____

Table 7: Authorized HID System Providers – Add or Remove

	Company # 1	Company # 2
	<input type="checkbox"/> Add / <input type="checkbox"/> Remove	<input type="checkbox"/> Add / <input type="checkbox"/> Remove
Authorized to purchase cards on your behalf	<input type="checkbox"/> Yes / <input type="checkbox"/> No	<input type="checkbox"/> Yes / <input type="checkbox"/> No
HID System Provider		
Contact Name		
Phone Number		
Fax Number		
Email Address		
Authorized End-User Name		
Authorized End-User Signature	X	X
Date		

Table 8: Your Companies Primary and Secondary Contacts – Add or Remove

Ensure the authorized End-User provides their signature for verification.

	Company # 1	Company # 2
	<input type="checkbox"/> Add / <input type="checkbox"/> Remove	<input type="checkbox"/> Add / <input type="checkbox"/> Remove
Name		
Title		
Signature	X	X
Address		
Phone Number		
Fax Number		
Email Address		
Authorized End-User Name		
Authorized End-User Signature	X	X
Date		

Send to HID Global for approval and processing by faxing: 949-732-2359.

For assistance, contact your Customer Service Representative.